

Guidelines for the Measurement of Ambient Air Pollutants

Volume-II



Guidelines for Real Time Sampling & Analyses



CENTRAL POLLUTION CONTROL BOARD
Ministry of Environment & Forests

Website: <http://www.cpcb.nic.in>

Guidelines for the Measurement of Ambient Air Pollutants

VOLUME-II



Guidelines for Real Time Sampling & Analyses



CENTRAL POLLUTION CONTROL BOARD
Ministry of Environment & Forests
Parivesh Bhawan, East Arjun Nagar, Delhi- 110032
Website: <http://www.cpcb.nic.in>

CPCB, 300 Copies, 2013

Prepared & Published by PR Division, Central Pollution Control Board on behalf of
Sh. J. S. Kamyotra, Member Secretary, CPCB

Printing Supervision and Layout : Shri G. Ganesh, Ms. Anamika Sagar
and Shri Satish Kumar

Printed at Viba Press Pvt. Ltd.C-66/3, Okhla Industrial Area, Phase-II, New Delhi-110020



मीरा महर्षि
अध्यक्ष

MIRA MEHRISHI
Chairman

केन्द्रीय प्रदूषण नियंत्रण बोर्ड

(भारत सरकार का संगठन)
पर्यावरण एवं वन मंत्रालय

Central Pollution Control Board
(A Govt. of India Organisation)
Ministry of Environment & Forests
Phone : 22304948 / 22307233

FOREWORD

Air quality plays a vital role for health, safety and security of mankind and ecology. With increase in urbanization and industrialization, the air quality shows a deteriorating trend that poses threat to survival of many species, service life and aesthetic beauty of materials. Under the provisions of the Air (Prevention & Control of Pollution) Act, 1981, CPCB has notified National Ambient Air Quality Standards (NAAQS) in 2009. The revision aims at implementation of uniform air quality standards across the country, irrespective of the land use pattern.

The measurement methods prescribed in the notification for these parameters include combination of gravimetric, wet-chemical and continuous/real-time instrument techniques. To achieve uniformity in monitoring, quality assurance and quality control, data reporting as prescribed in NAAQS 2009, the CPCB has documented the following guidelines:

- Volume -I: Guidelines for the Measurement of Ambient Air Pollutants (Manual sampling and analyses), and
- Volume-II: Guidelines for the Measurement of Ambient Air Pollutants (Real time sampling and analyses)

Efforts made by the Scientists of Air Laboratory in compiling, collating and documenting these guidelines under the supervision of Dr. D. Saha, Scientist-D & I/c Air Laboratory and guidance of Shri J.S. Kamyotra, Member Secretary, CPCB is duly acknowledged.

I believe that these guidelines would be useful for bringing uniformity in air quality monitoring and data collection and compilation.


(Mira Mehrishi)

May 18, 2012

Contribution

Overall Guidance & Supervision

Sh. J. S. Kamyotra

Dr. D. Saha

Laboratory experiments & Drafting of Guidelines

Sh. D. C. Jakhwal

Sh. Rajinder Singh

Sh. Vedparkash

Sh. L. K Kapila

Sh. Rattanlal

Sh. Subhash Chand

Data Formats

Dr. D. Saha

Dr. R.C. Srivastava

Sh. M. Satheesh

Editing, Charts & Computer Setting

Dr. D. Saha

Sh. D. C. Jakhwal

Sh. Fasiur Rehman

Ms. Shaveta Kohli

Background

Guidelines for Sampling and Measurement of notified Ambient Air Quality Parameters (NAAQS 2009)

Under the provisions of the Air (Prevention & Control of Pollution) Act, 1981, the CPCB has notified fourth version of National Ambient Air Quality Standards (NAAQS) in 2009. This revised national standard aims to provide uniform air quality for all, irrespective of land use pattern, across the country. There are 12 identified health based parameters, which are to measure at the national level and with a view to have data comparison, need for uniform guidelines for monitoring, sampling, analyses, sample flow chart, data sheet based on standard method has been felt.

The methods prescribed in the notification for respective parameters are the combination of physical method, wet-chemical method and continuous on-line method. Therefore, to meet the NAAQS requirement, a combination of both manual and continuous method is invariably required at each monitoring location, besides good laboratory set up and infrastructure.

In addition to the above, an in house exercise for applicability of all prescribed / recommended analytical methods was also felt necessary. After review and demonstration in the Central Laboratory, Delhi, guidelines are being prepared and documented, as under:

- 1. Volume -I: Guidelines for manual sampling and analyses (along with sample flow chart and data sheets);**
- 2. Volume-II: Guidelines for real time sampling and analyses**

Note: Guidelines are laboratory and infrastructure specific thus may not be applicable uniformly and need to develop based on infrastructure and expertise

NATIONAL AMBIENT AIR QUALITY STANDARDS (2009)

Pollutants	Time Weighted Average	Concentration in Ambient Air		Methods of Measurement
		Industrial, Residential, Rural and other Areas	Ecologically Sensitive Area (Notified by Central Government)	
Sulphur Dioxide (SO ₂), µg/m ³	Annual * 24 Hours **	50 80	20 80	-Improved West and Gaeke Method -Ultraviolet Fluorescence
Nitrogen Dioxide (NO ₂), µg/m ³	Annual * 24 Hours **	40 80	30 80	-Jacob & Hochheiser modified (NaOH-NaAsO ₂) Method -Gas Phase Chemiluminescence
Particulate Matter (Size less than 10µm) or PM ₁₀ , µg/m ³	Annual * 24 Hours **	60 100	60 100	-Gravimetric -TEOM -Beta attenuation
Particulate Matter (Size less than 2.5µm) or PM _{2.5} , µg/m ³	Annual * 24 Hours **	40 60	40 60	-Gravimetric -TEOM -Beta attenuation
Ozone (O ₃) µg/m ³	8 Hours * 1 Hour **	100 180	100 180	-UV Photometric -Chemiluminescence -Chemical Method
Lead (Pb) µg/m ³	Annual * 24 Hours **	0.50 1.0	0.50 1.0	-AAS/ICP Method after sampling on EPM 2000 or equivalent filter paper -ED-XRF using Teflon filter
Carbon Monoxide (CO), mg/m ³	8 Hours ** 1 Hour **	02 04	02 04	-Non dispersive Infrared (NDIR) Spectroscopy
Ammonia (NH ₃), µg/m ³	Annual * 24 Hours **	100 400	100 400	-Chemiluminescence -Indophenol blue method
Benzene (C ₆ H ₆), µg/m ³	Annual *	05	05	-Gas Chromatography (GC) based continuous analyzer -Adsorption and desorption followed by GC analysis
Benzo(a)Pyrene (BaP) Particulate phase only, ng/m ³	Annual *	01	01	-Solvent extraction followed by HPLC/GC analysis
Arsenic (As), ng/m ³	Annual *	06	06	-AAS/ICP Method after sampling on EPM 2000 or equivalent filter paper
Nickel (Ni), ng/m ³	Annual *	20	20	-AAS/ICP Method after sampling on EPM 2000 or equivalent filter paper

* Annual Arithmetic mean of minimum 104 measurements in a year at a particular site taken twice a week 24 hourly at uniform intervals.

** 24 hourly or 8 hourly or 1 hourly monitored values, as applicable, shall be complied with 98% of the time in a year. 2% of the time, they may exceed the limits but not on two consecutive days of monitoring.

NOTE: Whenever and wherever monitoring results on two consecutive days of monitoring exceed the limits specified above for the respective category, it shall be considered adequate reason to institute regular or continuous monitoring and further investigations.

National Ambient Air Quality Monitoring Program

National Ambient Air Quality Standard Parameters

Site & Parameter Selection

Background & other areas (Rural, Semi-urban, Urban, Industrial, sensitive etc.)

Manual Monitoring
 SO₂, NO₂, PM₁₀, PM_{2.5}, O₃, NH₃, Benzene, BaP, Ni, As, Pb

Gravimetric PM10 & PM2.5

Wet-chemical Methods

SO₂, NO₂, O₃, NH₃, Benzene

Sample Processing & Chemical Analyses

Benzene, B(a)P, Ni, As, Pb (in PM10)

Well established monitoring -cum- laboratory infrastructure, Trained manpower, Well established guidelines, manual data generation & dissemination etc.

Automatic Analyzers

SO₂, NO₂, PM₁₀, PM_{2.5}, O₃, CO, NH₃, Benzene

Sophisticated Analyzers, QA/QC, Instant Data Generation, On line data disseminations, Air Quality Index, Early Warning System, Forecasting, Modeling etc.

Site Selection

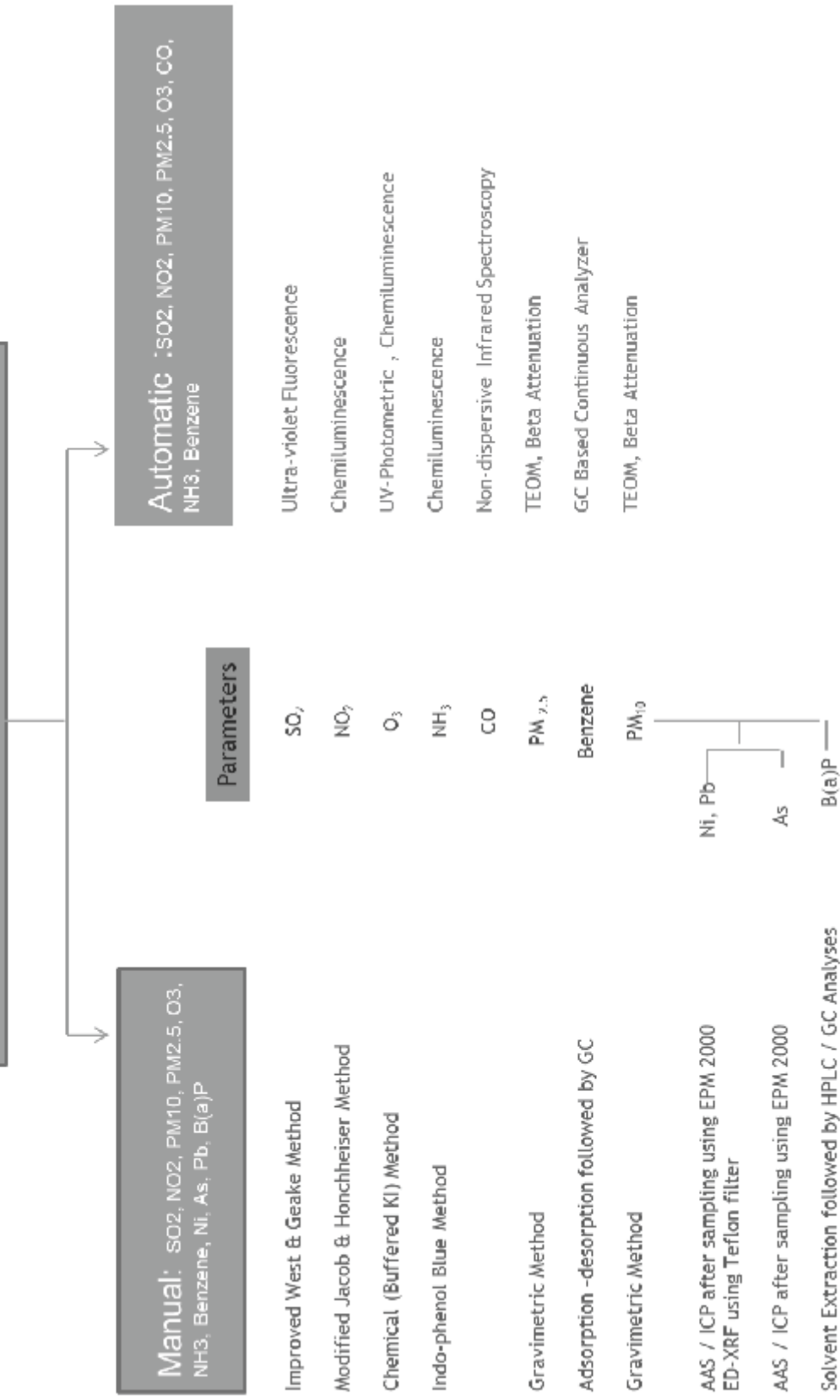
- Away from source & other interferences [Inlet 15 m away from source / traffic artery]
- Height of inlet >3m [preferably 3-10m]
 Double the height of nearby wall / obstructed
- Free flowing, well mixed
- Elevation Angle <30 [from inlet to top of building]
- Collocated samplers should be 2 m apart

Parameter Selection

- Sensitive Location (SO₂ & NO₂)
- Health Impact Stations (All pollutants)
- Population & Exposure (All Criteria Pollutants)
- Kerb side [Traffic Intersection] (Criteria Pollutants + CO)
- Downtown [Accumulative, 50 m away traffic intersection] (Criteria Pollutants + O₃)

National Ambient Air Quality Monitoring Program

National Ambient Air Quality Standard Parameters & Methods



Contents

S.No.		Page
1.	Guidelines for Automatic Measurement of Sulphur Dioxide in ambient air (UV Fluorescence Method)	1-11
2.	Guidelines for Automatic Measurement of Particulate Matter (PM _{2.5} and PM ₁₀) in ambient air (Beta Attenuation Method)	12-15
3.	Guidelines for Automatic Measurement of Carbon Monoxide (CO) in ambient air (Non-Dispersive Infrared Method)	16-22
4.	Guidelines for Automatic Measurement of Oxides of Nitrogen (NO - NO ₂ - NO _x) and Ammonia (NH ₃) in ambient air (Chemiluminescence Method)	23-34
5.	Guidelines for Automatic Measurement of Ozone (O ₃) in ambient air (UV Photometric Method)	35-40
6.	Guidelines for Automatic Measurement of benzene (BTX) in ambient air (Gas Chromatography based Continuous Method)	41-46
7.	Data Formats	A-D

Guidelines for Automatic Measurement of Sulphur Dioxide in ambient air (UV Fluorescence Method)

1.0 Purpose

The purpose of this protocol is to provide guidelines for monitoring of Sulphur Dioxide (SO₂) in ambient air.

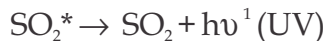
2.0 Principle

The UV fluorescence method is based on the fluorescence emission of light by SO₂ molecules previously excited by UV radiation.

The first reaction step is:



Then in the second step, the excited SO₂* molecule returns to the original ground state, emitting an energy H1 according to the reaction:



The intensity of the fluorescent radiation is proportional to the number of SO₂ molecules in the detection volume and is therefore proportional to the concentration of SO₂.

Therefore:

$$F = k [\text{SO}_2]$$

Where:

F	=	is the intensity of fluorescence radiation;
K	=	is the factor of proportionality;
[SO ₂]	=	concentration of SO ₂

The air sample flows into the inlet of the analyser where it is scrubbed to remove any interference by aromatic hydrocarbons that may be present. A hydrocarbon scrubber device usually accomplishes this.

Then the air sample flows into a reaction chamber, where it is irradiated by UV radiation with a wavelength range of (200-220) nm. The UV fluorescence light, in the wavelength range of (240-420) nm, is optically filtered and then converted to an electrical signal by a UV detector, for example, a photomultiplier tube.

The response of the analyser is proportional to the number of SO₂ molecules in the reaction chamber. Therefore, either temperature or pressure has to be kept constant, or if variation of these parameters is expected, the measured values have to be corrected. For this UV fluorescence method to yield accurate concentration measurements, it must be calibrated against some primary standard (see clause 5.4).

3.0 Instrument/Equipment

3.1 UV fluorescence Analyser - for measurement of Sulphur Dioxide in air

The analyser should be complete with analyser section, sample pump, detector amplifier/control section, meter, and recording system. The UV fluorescence analyser shall meet the performance specifications as prescribed. The main components are described below.

3.2 Selective Traps for Interfering Agents

One or more selective traps should be used before the reaction chamber to remove interfering gases such as aromatic hydrocarbons. These selective traps shall not retain any SO₂ and shall be changed in accordance with manufacturer's instruction manual.

If high concentrations of H₂S are expected in the ambient air, a selective scrubber should be used.

3.3 Optical Assembly and Fluorescence Cell

The UV lamp emission may be pulsed electronically or mechanically for synchronous detection and amplification of the signal. The lamp shall have a stabilised power supply to ensure a stable emission of light. An optical filter is used to restrict the wavelengths to a range, which allows excitation of the SO₂ molecule and yet minimise the interference of water vapour, aromatic hydrocarbons or nitric oxide.

The UV detector, for example, the photomultiplier tube, detects the fluorescence light emitted by the SO₂ molecules in the reaction chamber. A selective optical filter placed in front of the UV detector, reduces the signal due to scattering of the incident light. The reaction chamber shall be made of material inert to SO₂ and UV radiation. The cell should be heated above the dew point to avoid water condensation, and temperature fluctuations. The optical trap of the chamber prevents reflection of the exciting UV radiation. The optical assembly should be placed in a heated enclosure.

3.4 Pressure Regulator

The output signal of the analyser depends on the pressure in the reaction chamber and

is therefore proportional to the density of SO₂ (number of SO₂ molecules) present in the reaction chamber. Variations of internal pressure shall be measured and the signal corrected or controlled by means of a regulator. The signal may have to be corrected also for external pressure and temperature fluctuations. Significant pressure corrections are due to synoptic meteorological changes (up to + 3%) or by the attitude of the measurement site (about 10% decrease in pressure for an 800 m rise in attitude).

Note: One of the main causes of a reduced pressure in the reaction chamber is a pressure drop in the sample line.

3.5 Flow Rate Controller and Indicator

It is recommended that the flow rate be kept constant by means of a flow controller. A flow rate indicator should be included in the instrument.

3.6 Air Pump

A pump, which draws air through the analyser, is placed at the end of the sample flow path. If the use of UV lamp produces ozone, it is recommended to vent this ozone outside the room and far away from the sampling inlet, or a suitable charcoal filter may trap it.

4.0 SO₂ Calibration Gas Mixtures

4.1 Primary Calibration Method - Several equivalent methods for primary calibration can be used:

- static volumetric dilution
- permeation tube sources
- TCM - Tetra-chloromercurate method
- gravimetric preparation of gas mixture in combination with various dilution systems

Several methods for generating SO₂ calibration gas standard mixtures are proposed below. Whatever method is chosen, it is recommended that it be compared periodically against another independent traceable calibration method. The range of SO₂ calibration concentrations selected shall be in between 10% to 90% of the SO₂ concentration range in use.

4.2 Transfer Standard Calibration Method

Other methods to prepare calibration standard gases may also be used, if they are compared to one or more of the above mentioned methods. Even though any of the

primary calibration methods may be used as transfer standards, in practice, it is easier to use a laboratory calibrated permeation source or cylinder of SO₂. The latter may be used either directly (with cylinders containing 0.1 mg/m³ to 10.0 mg/m³ (0.03 ppm to 5 ppm) of SO₂ in air), or with appropriate quantitative dilution (using cylinders containing ten to several hundred g/m³ of SO₂ in air).

Note: Gas cylinders shall be made of an inert material or have been passivized to ensure stability of +/-3% for the period of use expected. Low concentration cylinder must be checked regularly against primary standards.

4.3 Operational (Field) Span Check

To aid in the quality control of the routine operation of the analyser on-site, span checks may be performed regularly (e.g. daily or weekly). For example, an internal permeation device may form an integral part of the apparatus, or an external calibrated cylinder, with appropriate dilution if necessary, may be used.

The described span check system is suitable for quality control in routine operation to verify that the analyser is operating correctly, but may not be suitable for proper calibration as described in 5.1. The span check system should regularly be compared to a laboratory-based calibration system as described in 5.1.

4.4 Zero Gas

Zero air used in the calibration of the analyser should not contain a concentration of SO₂ detectable by the analyser under calibration. The concentration of O₂ in the zero air shall be within +/-2% of the normal composition of air (20.9%).

4.5 Span Gas (Calibration Gas)

The span gas must be capable of providing an accurate, stable and reliable concentration of measured gas.

4.6 Multipoint Calibration

Multipoint calibration consists of three or more test concentrations including zero concentration. A concentration between 80% and 90% of the full-scale range of the analyzer under calibration, and one or more intermediate concentrations spaced approximately equally over the scale range are required. Multipoint calibrations are used to establish or verify the linearity of analyzer on initial installation and after any major repair. If a non-linear analyzer is being calibrated, additional calibration points should be included to adequately define the calibration relationship, which should be a smooth curve. Multipoint calibrations are likely to be more accurate than two point's

calibration because of the averaging effect of the multiple points.

The analyzers have zero and span adjustment controls, which should be adjusted based on the zero and highest test concentration to provide the desired scale range within the analyzer's specifications. Zero and span controls adjustment often affect the zero/span value, so the adjustments may have to be repeated several times to obtain consistent values i.e. zero or span concentrations.

5.0 Physical Zero and Span adjustments

All ambient monitoring analyzer have provision for zero and span adjustments. These adjustments are used to obtain the desired nominal scale range, to provide convenient scale units, and to periodically adjust the analyzer response to correct for calibration drift. Zero and span adjustments must always be followed by a calibration. Allow sufficient time between the adjustments and the calibration for the analyzer to stabilize.

6.0 Quality Control

There should be a quality control plan, which allows for modification of the frequency and number of points required for calibration. Such a quality control program assures the accuracy and reliability of the air quality data collected. The calibration program must include information of dates of calibration, atmospheric conditions, control setting and other pertinent data.

The analyzer should be calibrated or re-calibrated:

- (a) on its initial installation;
- (b) following its relocation;
- (c) after every repair or service;
- (d) if an interruption in operation of more than a few days; and
- (e) on detection of malfunction or changing of the analyzer in calibration.

In routine operation calibration of analyzer should be checked periodically defining period (once a week) to maintain close agreement between the calibration values used to convert analyzer responses to concentration measurements and the actual response of the analyzer. The frequency of routine periodic calibration is a matter of judgment and is a trade-off among several considerations, including:

- (i) the inherent stability of the analyzer under the prevailing conditions of temperature, pressure, line voltage, etc. at the monitoring site;
- (ii) the quality of the ambient measurement needed;
- (iii) the risk of collecting invalid data because of a malfunction or invalid data or response problem with the analyzer that would not be discovered until the calibration is carried out.

When a new monitoring instrument is installed, zero and span calibration should be very frequent, may be daily. After obtaining enough data on the drift performance of the analyzer, the calibration frequency can be adjusted to provide a suitable compromise among the various considerations mentioned above. To facilitate the process of determining calibration frequency, it is strongly recommended that control charts should be used to monitor the zero and span drift performance of each analyzer. If the drift becomes excessive, then the corrective action has to be taken.

7.0 Precautions

- a) Operate the analyser in air- conditioned and dust proof room
- b) Follow standard safety practices for the handling and storage of calibration gas cylinders & the installation and use of the analyser.
- c) Do not expose calibration cylinders to direct sunlight or excessive heat.
- d) Maintain the same sample cell flow rate during sampling and calibration. Use the same sample pump.

8.0 Sampling

When sampling the outside ambient from an enclosure, utilize a sampling line or probe extending at least 1 metre from the enclosure, and protected against the entry of precipitation. Place the analyser in an enclosure with atmospheric control so the temperature remains constant within $\pm 5^{\circ}$ C. Record the temperature and pressure of the atmosphere sample.

9.0 Operation of the analyzer

Install the instrument in a suitable location. Follow the manufacturer's operating instructions to set the various parameters correctly, including UV source lamp intensity, sample flow rate, and (if applicable) the activation of the electronic temperature/pressure compensation. Check to ensure that the manufacturer's performance specifications are met or exceeded. If necessary, the location shall also be temperature controlled to minimise the effect of the temperature dependence of the instrument.

Sample air through the instrument and record the SO₂ concentration by means of a suitable recording device (for example, chart recorder, electronic data acquisition system, etc.). During continuous operation of the instrument, checks of the instrument zero, span, and operational parameters shall be made at least one a week. In order to ensure optimum analyser performance, follow the maintenance schedule as detailed in the manufacturer's instruction manual. It is recommended that the analyser be fully either serviced every 6 month or annually as appropriate based on the performance of

the analyser. A full calibration of the instrument should be carried out before and after this service.

10.0 Calibration System and Equipment

10.1 Requirements - Prior to Calibration or Zero/Span Check

- a) The analyzer under calibration should be in operation for at least overnight so that it is fully warmed up and stabilized.
- b) Allow the analyzer to sample test atmosphere with known concentration of pollutants.
- c) During calibration, the analyzer should be operating in its normal sampling mode and it should sample the test atmosphere through all filters, scrubbers, conditioners, and other components used during normal ambient sampling and through as much of the ambient air inlet system as is practicable.
- d) Complete all operational adjustments of the analyzer.

10.2 Preparation of Primary Test Gases

10.3 Static Injection System

Static calibration mixtures are prepared by introducing a known volume of pure gas into a given volume of dilution gas. The use of static injection system greatly reduces the possibilities of error. The only disadvantage with this system is availability of a small quantity of air for analysis. The availability of air quality depends on the size of the container and the maximum permissible excessive pressure.

Generally, glass bottles and flasks are used for static injection system. The exact determination of volume of the container is a basic prerequisite for static injection. The exact volume of glass bottle can be determined by filling the bottle with distilled water and then measure the volume of water by taking out from the bottle. The bottle volume is again determined by increasing the glass bottle pressure by 1.0 bar. The excess pressure allows the water to pass through a calibrated wet gas meter.

The volume of gas obtained from glass bottle should be corrected to normal conditions (25°C at 1013 hPa). A precision measuring manometer with a tolerance of 0.1% or an electronic pressure calibration standard may be used to ascertain the exact pressure of the container.

The glass bottle is evacuated and filled with dilution gas (zero gas) and a measured quantity of pure gas (100%) is injected by calibrated syringe (micro syringes) directly into the glass bottle through the septum. The gases (pure and dilution) are mixed inside the glass bottle by an externally controlled stirrer. This gas mixture is now used for calibration of analyzers.

10.4 Calculation

The concentration by volume of a pure gas can be calculated from the following equation:

$$\text{Calibration concentration} = \text{Concentration of pure gas} \times \frac{\text{Volume of Injection}}{\text{Volume of Dilution Gas}}$$

10.5 Permeation System

A permeation device is a gas source, which permanently emits a constant known quantity of a pure gas. It consists of a small container with a permeable wall, typically consisting entirely of PTFE (Teflon) or of stainless steel with a small PTFE wafer. The gases to be used (SO_2 , NO_2 , H_2S etc.) to generate standard gas mixture of variable concentration, is kept pure in liquid form. Since the compound is liquid, it will always have a constant vapour pressure, if temperature is constant.

Gravimetric method is used for calibrating the permeation tube at different flow rate. The pre-weighted permeation tube (SO_2 , NO_2 , H_2S etc.) are kept in permeation oven for constant temperature. After an interval of about 10 days, the tubes are taken out and weighed. The permeation rate of tubes is calculated by dividing the weight loss by time period.

10.6 Calculation

$$\text{Permeation Rate (PR)} = \frac{\text{Difference in Weight (}\mu\text{g)}}{\text{Time Period (Min)}}$$

$$\text{Concentration (C)} = \frac{\text{Permeation Rate (g / min)}}{\text{Dilution Gas Flow (m}^3 \text{ / min)}}$$

$$C = \mu\text{g/m}^3$$

10.7 Procedure for Calibration with Permeation Tube

- i) Take a new permeation tube and put it into permeation oven of a calibration unit for stabilisation at least for 48 hours.
- ii) After the stabilisation take the initial weight (w_1) of permeation tube in a balance, which can measure up to 5 decimal value and record date & time (t_1). Put back the tube again in permeation oven in same condition as earlier.
- iii) Take out the permeation tube from oven approximately after 10 days and weight it again (w_2) and note down the date & time (t_2) and put back the tube into permeation oven.

iv) Calculations:

$$\text{Permeation Rate (PR)} = \frac{\text{Difference in Weight (w}_1 - \text{w}_2) \text{ gms}}{\text{Difference in Time (t}_2 - \text{t}_1) \text{ min}}$$

$$\text{SO}_2 \text{ Concentration} = \frac{\text{Permeation Rate (PR) (g / min.)}}{\text{S}^* \times \text{Dilution Flow (m}^3 / \text{min)}}$$

S* = SO₂ Concentration at 25 Degree Centigrade,
1.0 ppb = 2.618 µg / m³

10.8 Example

Let us take the permeation tube of Sulphur dioxide for calibration:

Date = 20.05.09, Time = 11 a.m. (t₁)

Weight of permeation tube = 0.05250 gms. (w₁)

Date = 31.05.09, Time = 10.30 a.m. (t₂)

Weight of permeation tube = 0.04936 gms. (w₂)

Difference in weights (w₁ - w₂)

0.05250 - 0.04936 = 0.00314 gms

Time Difference (t₂ - t₁)

10 days, 23 hrs., 30 minutes = 15810 minutes

$$\text{Permeation Rate} = \frac{0.00314 \text{ gms.}}{15810 \text{ minutes}} = 0.199 \text{ } \mu\text{g} / \text{min.}$$

Sulphur Dioxide concentration at different flow rates:

$$\begin{aligned} 50 \text{ liters / hr.} &= \frac{0.199 \text{ } \mu\text{g} / \text{min.}}{0.833 \times 10^{-3} \text{ m}^3 / \text{min} \times 2.618 \text{ } \mu\text{g} / \text{m}^3} \\ &= 91.25 \text{ ppb} \end{aligned}$$

100 litres/hr. = 45.52 ppb

150 litres/hr. = 30.83 ppb

200 litres/hr. = 22.83 ppb

11.0 Calibration of the Ambient SO₂ Analyser

11.1 Principle - During this procedure, the ambient SO₂ analyser shall be operated at its normal flow rate and temperature. The calibration includes measurements of zero air, span gas and at least five SO₂ concentrations (using a primary calibration gas standard described in section 11.3 & 11.6) which shall be spaced to cover the ambient range. For all calibrations, flow of calibration gases to the manifold shall exceed, by at least 20%, the total flow required by the instrument attached to the manifold, with the excess appropriately vented at atmospheric pressure.

11.2 Calibration Procedure

11.3 Zero Calibration - Switch on the analyzer at ZERO mode and zero gas from internal source will be measured by the analyzer. After the reading has stabilized, check the display of the zero value. In case of derivation, adjust the zero value.

11.4 Span Calibration - After the ZERO calibration has been done, switch the analyzer at SPAN mode. SO₂ span gas (pre-determined concentration) from permeation tube, kept in permeation oven, would be measured by the analyzer. In case of any deviation in the displayed value and the span gas concentration adjust the reading of analyzer to the span value. Repeat ZERO and SPAN calibration for at least three times or till stable and true values are indicated. After ZERO and SPAN calibration, switch the analyzer at SAMPLE mode. Now, analyzer will measure SO₂ present in the ambient air.

11.5 Field Calibration Procedure with a Transfer Standard - A two-point calibration of the analyser with a transfer standard calibrated previously against a reference calibration system is acceptable in field conditions.

12.0 OPERATIONAL CHECKS

12.1 Zero and Span Settings

If the required zero and span corrections performed in accordance with calibration procedure are greater than 80% of the range, have the analyser serviced.

12.2 Sample Flow Rate

If the sample flow rate has changed by more than $\pm 20\%$ of the initial value, check the particulate filter for blockage, and the sample pump for proper operation. Check the filter monthly by measuring the flow rate with and without the filter in place. Replace the filter if the drop is more than 5%.

12.3 Temperature Control

Check the temperature of the shelter or room in which the analyser is located. If, it has changed by more than $\pm 5^{\circ}\text{C}$, have the heating-cooling system serviced.

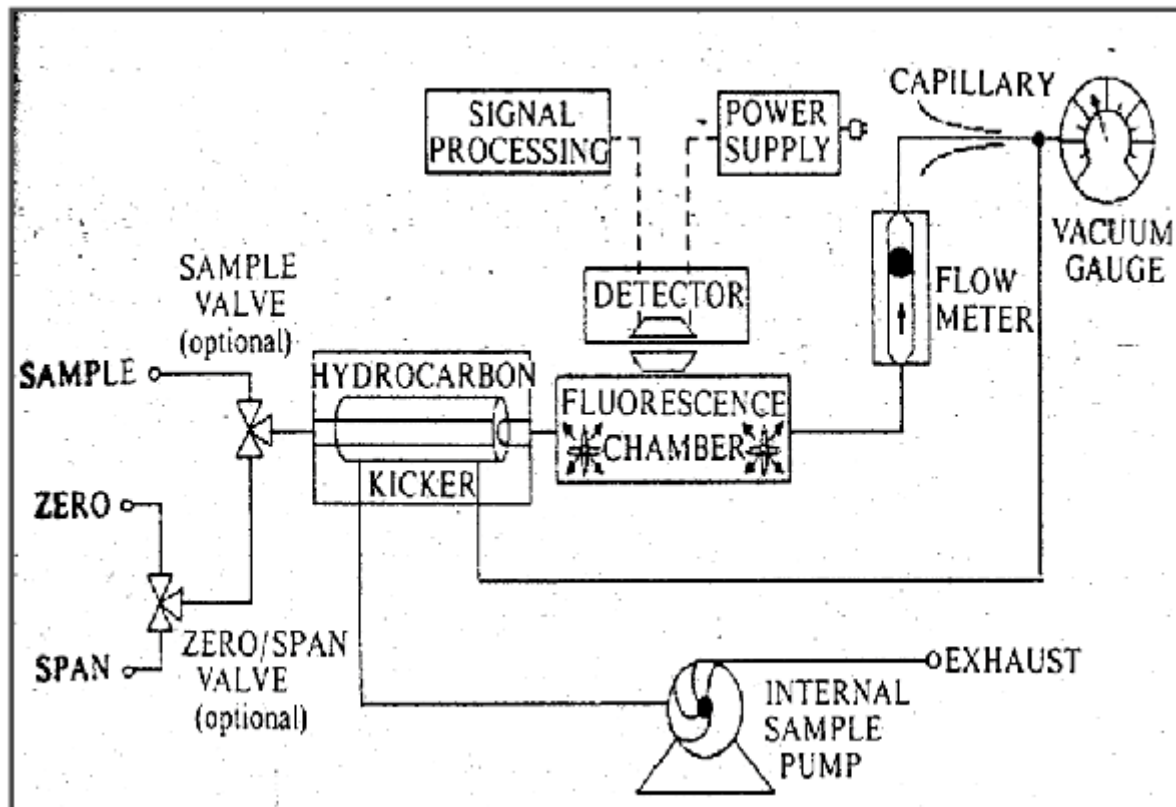
13.0 Record

The calibration record of analyzer with details like calibration data, calibration equation, analyzer identification, analyzer location, calibration standards used and their traceability, identity of calibration equipment used shall be maintained by the concerned laboratory staff.

14.0 References

1. ISO 10498.2. 1999 Ambient Air - Determination of Sulphur Dioxide - Ultraviolet Fluorescence method.
2. CPCB DOC: CB/CL/SOP/5.6/8, Issue No. 01, Issue date: 17.07.2003, Procedure for calibration of ambient air quality monitoring analyzers

Schematic Flow Diagram of Sulphur Dioxide Analyser



Guidelines for Automatic Measurement of Particulate Matter (PM_{2.5} and PM₁₀) in ambient air (Beta Attenuation Method)

1.0 Purpose

The purpose of this protocol is to provide guidelines for monitoring of particulate matter (PM_{2.5} and PM₁₀) in ambient air.

2.0 Principle

The Dust monitor automatically measures and records airborne particulate concentration levels (in milligrams or micrograms per cubic meter) using the principle of beta ray attenuation. Each hour, a small C₁₄ (Carbon-14 or Krypton 85) element emits a constant source of high-energy electrons (known as beta rays) through a spot of clean filter tape. These beta rays are detected and counted by a sensitive scintillation detector to determine a zero reading. The Monitor automatically advances this spot of tape to the sample nozzle, where a vacuum pump then pulls a measured and controlled amount of dust-laden air through the filter tape, loading it with ambient dust (PM_{2.5} or PM₁₀, depending upon the sampling head). At the end of the hour, this dirty spot is placed back between the beta source and the detector thereby causing an attenuation of the beta ray signal which is used to determine the mass of the particulate matter on the filter tape and the volumetric concentration of particulate matter in ambient air.

3.0 Instrument/Equipment

3.1 Beta Ray Attenuation - for measurement of particulate matter (PM_{2.5} and PM₁₀) in air

The monitor consists of three basic components: the detector / logger, the pump and a sampling inlet (PM_{2.5} or PM₁₀). Each of these components is self-contained and may be easily disconnected for servicing or replacement. The Beta Ray Attenuation monitor shall meet the performance specifications as prescribed.

4.0 Calibration

4.1 Factory Calibration Method

The entire particulate matter monitor is tested to traceable standards and then operated in a chamber with dust laden atmosphere. The results of this testing provide data points that are used in the data regression and final calibration. The built in membrane calibrator is tested to assure conformity during test period.

4.2 Automatic Calibration Method

The monitor has a built in Mass Membrane Calibrator. The membrane is automatically

moved into the beta Pathway to determine the 'mass' of the membrane each hour or when the filter tape advances. Each membrane has a factory verified mass and that value is stored in the monitor. When the hourly membrane calibration is made, the computed value is compared to the stored factory value to determine proper operation.

4.3 Zero testing

Zero testing of blank filter paper is performed at the beginning and end of each sample period to insure the stability of the measurement system. Zero testing is based on the ability of the monitor to hold a constant output when measuring blank filter paper. If the difference between the two values exceeds a preset limit a data error message is logged in the error log and the digital value is marked.

5.0 Operation of the Particulate Matter Monitor

5.1 Normal Operation Mode

Every cycle of the normal operation mode consists of three main parts, automatic calibration, sampling, counting and calculation. Logging of data collected occurs after each calculation.

5.2 Operation Cycle

The particulate matter monitor uses a sampling algorithm that optimizes the total time required to complete a cycle. The basic cycle always includes an automatic calibration that is performed during the sampling period, but at a different point on the filter, as the data is being sampled. The process is as follows:

- i) The initial measurement of clean filter tape (I0) is performed at the beginning of the cycle for a period of four minutes.
- ii) The filter tape is advanced 50 mm approximately and the sampling (depends upon the sampling head $PM_{2.5}$ or PM_{10}) begins on the spot in which I0 was just measured. Air is drawn through this spot on the filter tape for 50 minutes.
- iii) At the same time the second measurement (I1) occurs (at a point on the tape 50 mm back) for a period of four minutes. The purpose for this measurement is to perform verification for instrument drift caused by varying external parameters such as temperature and relative humidity. A third measurement (I2) occurs with the reference membrane extended over the same place on the tape. The sample time should be chosen greater than or equal to 5 minutes, so as allow for overlapping Auto calibration time. The purpose of this measurement is to verify that the instrument is operational.

- iv) The tape is moved back app. 50 mm to measure the beta ray absorption through the section that has collected dust (I3). Finally the concentration calculation is performed to complete the cycle.
- v) A new measurement cycle then begins.

5.3 Sampling

During the sampling period incoming dust - laden air may be pumped through an optional external PM10 (or PM_{2.5}) inlet head to remove particles greater than 10 (or 2.5) μm in diameter. The air then goes through the filter tape, where particles less than or equal to 10 (or 2.5) μm in diameter are deposited. First the filter tape is advanced 50 mm approximately from the counting station to the sampling nozzle. Next the nozzle is lowered to the tape surface and the vacuum pump is turned ON. At the end of the sampling period the pump is turned OFF, the nozzle is raised and the tape is moved backward the same distance of 50 mm approximately.

5.4 Counting and Calculation

The final part of the operation mode is the counting of the beta particles through the dusty section of tape and then the calculation and logging of the dust concentration. The tape is then advanced 12.5 mm approximately to begin the next cycle.

5.5 Logging

Data that is computed every sample period is logged in the local memory for the current day. Normal measurement mode starts immediately after the operation mode of the meter is set ON by the operator, cycling indefinitely until the mode is set OFF.

5.6 Software Description - Setup Mode

The monitor saves various setup parameters needed to perform the desired calculations. These includes date, time, Average reference membrane mass density (ABS), Background concentration (BKGD), Regression factor (K), Absorption coefficient (μ_{sw}), Pressure flow proportionality (CV), Flow offset (QO) and the sample period tS. Once stored these numbers do not need to be reloaded. ABS, BKGD, K, μ_{sw} , C_v and Q_o are constants established at the factory by extensive test and calibration.

5.7 Calculations

The software uses the constant and the input variables available with each monitor to calculate the output data. The output data is used for to calculate daily statistics. The

monitor measures the beta ray attenuation at several times during the sampling cycle.

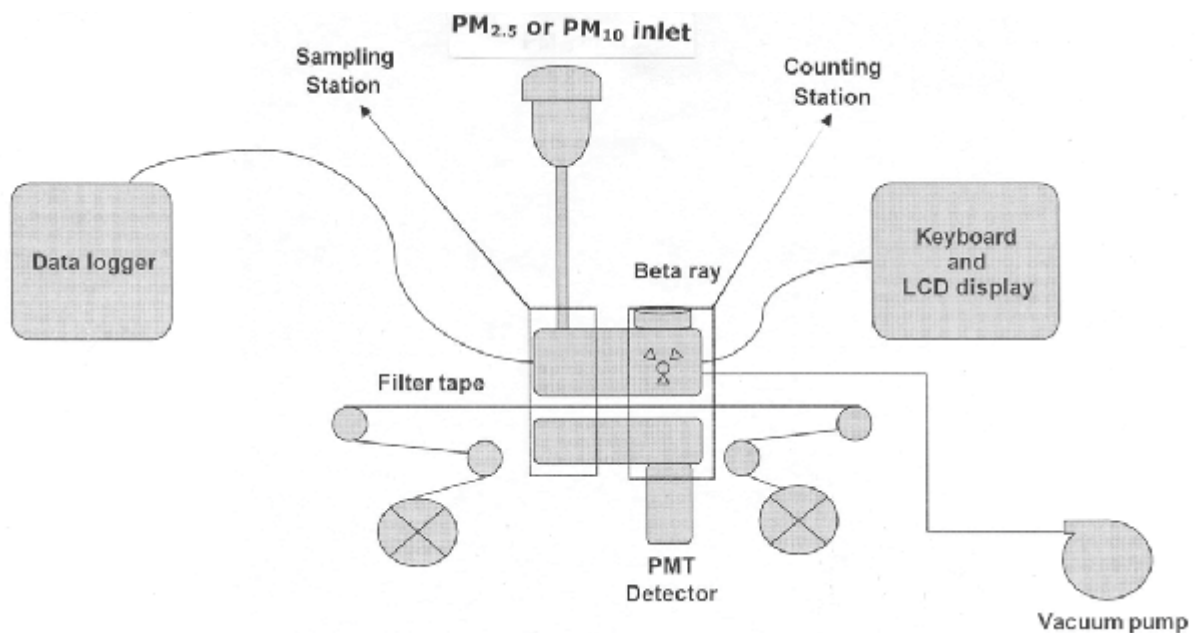
6.0 Record

The time to time calibration record of each particulate matter monitor with details like calibration data, calibration equation, monitor identification number, location, calibration foil used and their traceability used shall be maintained by the concerned laboratory staff.

7.0 References

1. Designated as an Automated Equivalent Methods: EQPM-0308-170 for $PM_{2.5}$ and EQPM-0798-122 for PM_{10} by USEPA

Schematic Flow Diagram of Particulate Matter ($PM_{2.5}$ or PM_{10}) Monitor



Guidelines for Automatic Measurement of Carbon Monoxide (CO) in ambient air (Non-Dispersive Infrared Method)

1.0 Purpose

The purpose of this protocol is to provide guidelines for monitoring of carbon monoxide (CO) in ambient air.

2.0 Principle

Non Dispersive Infra-Red (NDIR) photometry provides a method of utilising the integrated absorption of infra-red energy over most of the spectrum for a given compound to provide a quantitative determination of the concentration of Carbon Monoxide (CO) in ambient air. The spectrometer measures the absorption by CO at 4.7 μ m using two parallel infrared beams through a sample cell, a reference cell and a selective detector. The detector signal is led to an amplifier control section and the analyser output measured on a meter and recording system. Some instruments use gas filter correlation to compare the IR absorption spectrum between the measured gas and other gases present in the sample, in a single sample cell. These instruments utilize a highly concentrated sample of CO as a filter for the IR transmitted through the sample cell, to yield a beam that cannot be further attenuated by the CO in the sample and thus acts as a reference beam. The board-band radiation that passes through the sample cell and the CO filter is filtered again by a narrow-band-pass filter that allows only the CO-sensitive portion of the band to pass to the detector. The removal of wavelength sensitive to other gases reduces interferences.

3.0 Instrument/Equipment

3.1 NDIR Analyser - for measurement of carbon monoxide in air

The analyser should be complete with analyser section, sample pump, amplifier/control section, meter, and recording system. The NDIR analyser shall meet the performance specifications as prescribed.

3.2 Calibration Standards and Equipment

The calibration of ambient air quality measuring carbon monoxide analyzer require a stable, homogeneous gas mixture having the concentration suitable for measuring range of the analyzer to be calibrated. All such test concentrations must be derived from local or working standards that are certified and traceable to primary standards.

3.2.1 Zero Gas

Zero gas is defined as gas, which does not contain the parameters to be monitored (any impurity). The concentration of zero gas must be zero in respect of pollutant being calibrated.

3.2.2 Span Gas (Calibration Gas)

The span gas must be capable of providing an accurate, stable and reliable concentration of measured gas.

3.2.3 Multipoint Calibration

Multipoint calibration consists of three or more test concentrations including zero concentration. A concentration between 80% and 90% of the full-scale range of the analyzer under calibration, and one or more intermediate concentrations spaced approximately equally over the scale range are required. Multipoint calibrations are used to establish or verify the linearity of analyzer on initial installation and after any major repair. If a non-linear analyzer is being calibrated, additional calibration points should be included to adequately define the calibration relationship, which should be a smooth curve. Multipoint calibrations are likely to be more accurate than two point's calibration because of the averaging effect of the multiple points.

The analyzers have zero and span adjustment controls, which should be adjusted based on the zero and highest test concentration to provide the desired scale range within the analyzer's specifications. Zero and span controls adjustment often affect the zero/span value, so the adjustments may have to be repeated several times to obtain consistent values i.e. zero or span concentrations.

3.2.4 Pressure Regulators for the CO Cylinders

A two-stage regulator with inlet and delivery pressure gauges will be required for the CO calibration standard cylinder. Procure regulators for each cylinder if individual cylinders are to be used for individual calibration points. Ensure the cylinders have a non-reactive diaphragm and suitable delivery pressure. Consult the supplier from whom the CO cylinders are to be obtained for the correct cylinder fitting size required for the regulator.

3.2.5 Flow Controller

The flow controller can be any device (valve) capable of adjusting and regulating the flow from the calibration standard. If the dilution method is to be used for calibration, a second device is required for the zero-air. For dilution, the controllers shall be capable of regulating the flow $\pm 1\%$.

3.2.6 Flow Meter

A calibrated flow meter capable of measuring and monitoring the calibration standard flow rate. If, the dilution method is used, a second flow meter is required for the zero-air flow. For dilution, the flow meters shall be capable of measuring the flow with an accuracy of $\pm 2\%$.

3.2.7 Output Manifold

The output manifold should be of sufficient diameter to ensure an insignificant pressure drop at the analyser connection. The system shall have a vent designated to ensure atmospheric pressure at the manifold and to prevent ambient air from entering the manifold.

4.0 Physical Zero and Span adjustments

All ambient monitoring analyzer have provision for zero and span adjustments. These adjustments are used to obtain the desired nominal scale range, to provide convenient scale units, and to periodically adjust the analyzer response to correct for calibration drift. Zero and span adjustments must always be followed by a calibration. Allow sufficient time between the adjustments and the calibration for the analyzer to stabilize.

5.0 Quality Control

There should be a quality control plan, which allows for modification of the frequency and number of points required for calibration. Such a quality control programme assures the accuracy and reliability of the air quality data collected. The calibration programme must include information of dates of calibration, atmospheric conditions, control setting and other pertinent data.

The analyzer should be calibrated or re-calibrated:

- (a) on its initial installation;
- (b) following its relocation;
- (c) after every repair or service;
- (d) if an interruption in operation of more than a few days; and
- (e) on detection of malfunction or changing of the analyzer in calibration.

In routine operation calibration of analyzer should be checked periodically defining period (once a week) to maintain close agreement between the calibration values used to convert analyzer responses to concentration measurements and the actual response of the analyzer. The frequency of routine periodic calibration is a matter of judgment and is a trade-off among several considerations, including:

- (i) the inherent stability of the analyzer under the prevailing conditions of temperature, pressure, line voltage, etc. at the monitoring site;
- (ii) the quality of the ambient measurement needed;
- (iii) the risk of collecting invalid data because of a malfunction or invalid data or response problem with the analyzer that would not be discovered until the calibration is carried out.

When a new monitoring instrument is installed, zero and span calibration should be very frequent, may be daily. After obtaining enough data on the drift performance of the analyzer, the calibration frequency can be adjusted to provide a suitable compromise among the various considerations mentioned above. To facilitate the process of determining calibration frequency, it is strongly recommended that control charts should be used to monitor the zero and span drift performance of each analyzer. If the drift becomes excessive, then the corrective action has to be taken.

6.0 Precautions

- a) Operate the analyser in air-conditioned and dust proof room
- b) Follow standard safety practices for the handling and storage of calibration gas cylinders & the installation and use of the analyser.
- c) Do not expose calibration cylinders to direct sunlight or excessive heat.
- d) Maintain the same sample cell flow rate during sampling and calibration. Use the same sample pump.

7.0 Sampling

When sampling the outside ambient from an enclosure, utilize a sampling line or probe extending at least 1 metre from the enclosure, and protected against the entry of precipitation. Place the analyser in an enclosure with atmospheric control so the temperature remains constant within $\pm 5^\circ \text{C}$. Record the temperature and pressure of the atmosphere sample.

8.0 Operation of the analyser

- (i) Press ON/OFF switch of the analyzer to ON;
- (ii) Check that the sampling tube is connected with sampling glass manifold and the suction pump is in operation;
- (iii) Let the analyzer warm up and stabilize for atleast 30 minutes or as specified in the manual;
- (iv) Do not change the programme or configuration of the analyzer as they are preset; and
- (v) After the warm up period, put the analyzer on SAMPLE mode by pressing the sample key.

9.0 Procedure of Calibration

9.1 Calibration of Working Standard

- (i) The working standard should be calibrated with Certified Reference Material (CRM);
- (ii) Established the concentration of the working standard relative to the primary standard;
- (iii) Primary standard should be traceable to NIST / BIS primary standard; and
- (iv) Confirm the stability of the working standard over a minimum period of one week.
- (v) Flow or volume measuring instruments like, bubble flow meter or gas meter shall be calibrated and certified at regular intervals against NPL, New Delhi / FCRI, Palghat standards.

9.2 Requirements - Prior to Calibration or Zero/Span Check

- a) The analyzer under calibration should be in operation for at least overnight so that it is fully warmed up and stabilized.
- b) Allow the analyzer to sample test atmosphere with known concentration of pollutants.
- c) During calibration, the analyzer should be operating in its normal sampling mode and it should sample the test atmosphere through all filters, scrubbers, conditioners, and other components used during normal ambient sampling and through as much of the ambient air inlet system as is practicable.
- d) Complete all operational adjustments of the analyzer.

9.3 Zero and Span Calibration Procedures

(i) Zero Calibration

Switch the analyzer at ZERO mode and zero gas (N_2) from external source is measured by the analyzer. After the reading has stabilized, check the display of zero value. In case of derivation, adjust the ZERO value.

(ii) Span Calibration

After the ZERO calibration has been done, connect the span gas cylinder, of known concentration of CO. Switch on the analyzer of SPAN mode. Open the regulator valve of the cylinder and the analyzer will start measuring the span gas concentration. In case of any variation in the measured value and SPAN gas concentration, adjust the reading of the analyzer to the SPAN gas concentration value. Repeat ZERO and SPAN calibration for atleast three times till stable and true value are indicated. After ZERO

and SPAN calibration, switch the analyzer at SAMPLE mode. Now, analyzer will measure the carbon monoxide present in the ambient air.

10.0 Calculation

To convert ppm volume fraction to milligrams per cubic metre, use the following equation:

$$\rho_1 = \frac{\rho_2 \times m_r \times 298\rho}{24\,450 \times T \times 101.3}$$

Where:

- ρ_1 = is the CO mass concentration, in milligrams per cubic metre
- ρ_2 = is the CO mass concentration, ppm volume fraction
- m_r = is the molar mass of carbon monoxide, (28 g/mol)
- 298 = is the standard absolute temperature, in Kelvin
- ρ = is the measured gas pressure, in kilopascals
- 24 450 = is the molecular volume of 1 mole, in millilitres
- T = is the measured absolute gas temperature, in Kelvin
- 101.3 = is the standard gas pressure, in kilopascals

11.0 OPERATIONAL CHECKS

11.1 Zero and Span Settings

If the required zero and span corrections performed in accordance with calibration procedure are greater than 80% of the range, have the analyser serviced.

11.2 Sample Flow Rate

If the sample flow rate has changed by more than $\pm 20\%$ of the initial value, check the particulate filter for blockage, and the sample pump for proper operation. Check the filter monthly by measuring the flow rate with and without the filter in place. Replace the filter if the drop is more than 5%.

11.3 Temperature Control

Check the temperature of the shelter or room in which the analyser is located. If, it has changed by more than $\pm 5^\circ\text{C}$, have the heating-cooling system serviced.

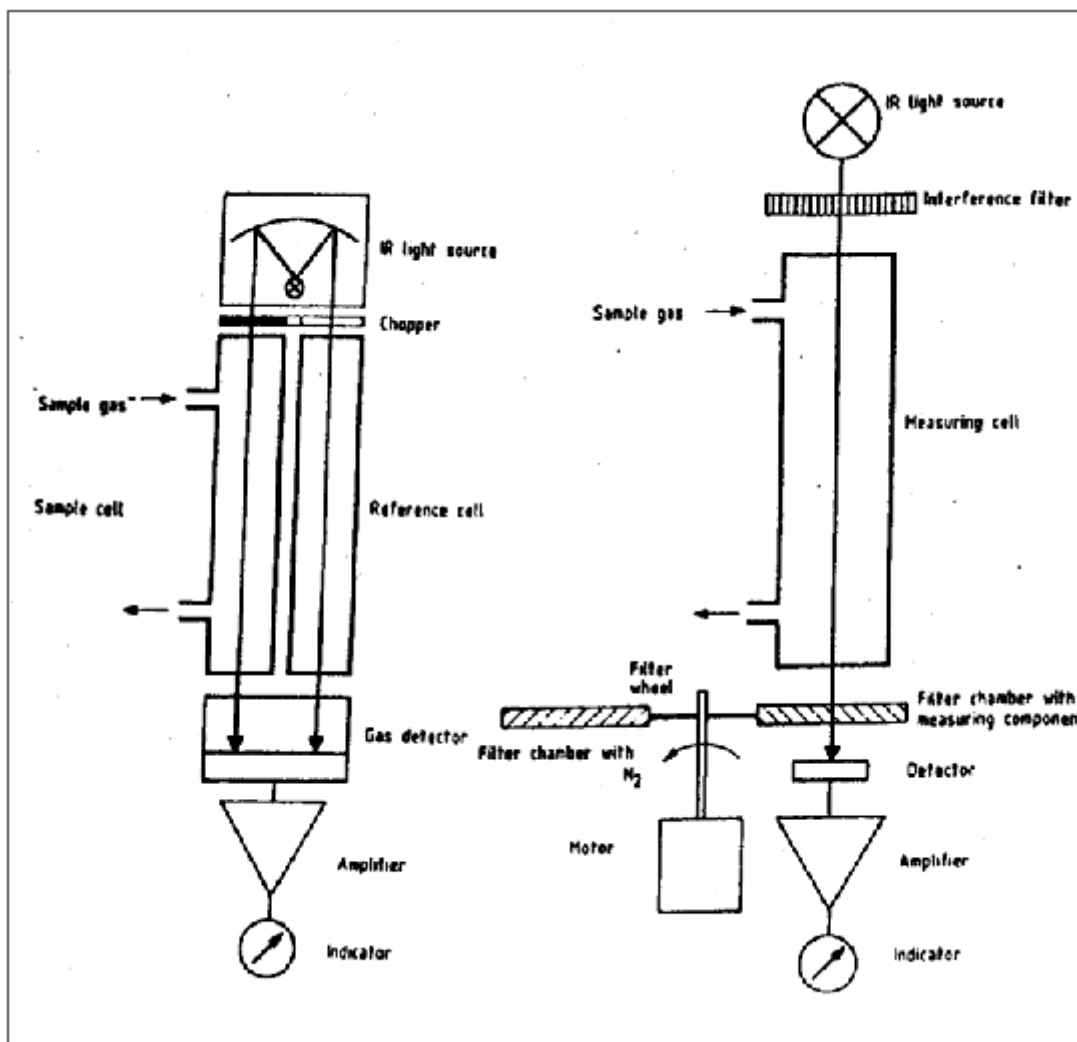
12.0 Record

The calibration record of each analyzer with details like calibration data, calibration equation, analyzer identification, analyzer location, calibration standards used and their traceability, identity of calibration equipment used shall be maintained by the concerned laboratory staff.

13.0 References

1. ISO Method No. 4224, 1999
2. CPCB DOC: CB/CL/SOP/5.6/8, Issue No. 01, Issue date: 17.07.2003, Procedure for calibration of ambient air quality monitoring analyzers

Schematic Flow Diagram of Carbon Monoxide Analyser



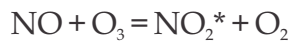
Guidelines for Automatic Measurement of Oxides of Nitrogen (NO - NO₂ - NO_x) and Ammonia (NH₃) in ambient air (Chemiluminescence Method)

1.0 Purpose

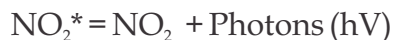
The purpose of this protocol is to provide guidelines for monitoring of oxides of nitrogen (NO - NO₂ - NO_x) and Ammonia (NH₃) in ambient air.

2.0 Principle

The measurement method is based upon the chemiluminescent reaction between Nitric oxide (NO) with Ozone (O₃) in a reaction chamber.



A portion of the resultant Nitrogen dioxide (NO₂) is produced in a highly excited energy state (NO₂^{*}) and subsequently decay to the ground level state emitting light in broad frequency band with a peak of 1200 nm.



The intensity of the light emitted is linearly proportion to the NO concentration and is measured by a photo-multiplier tube. The instrument is designed for the measurement of total Oxides of Nitrogen (NO_x), Nitric Oxide (NO) and indirect determination of Nitrogen Dioxide (NO₂) and Ammonia (NH₃). The NO₂ and NH₃ calculated by subtraction of NO from NO_x and NO_x from NO_y.

$$\text{NO}_x = \text{NO} + \text{NO}_2$$

$$\text{NO}_2 = \text{NO}_x - \text{NO} \text{ -----(1)}$$

$$\text{NO}_y = \text{NO} + \text{NO}_2 + \text{NH}_3$$

$$\text{NH}_3 = \text{NO}_y - \text{NO}_x \text{ -----(2)}$$

3.0 Instrument/Equipment

3.1 Chemiluminescence Analyser - for measurement of oxides of nitrogen and ammonia in air

The Chemiluminescence analyzer is a combination of NH₃ converter and an NO-NO₂-NO_x analyzer. Ammonia in the air sample is oxidized to nitric oxide (NO) with a converter. Sample air is drawn at a flow rate of 0.6 L/min from the converter into the NH₃ analyzer through a particulate filter, a glass capillary, and a solenoid valve. The solenoid valve routes the sample either directly into the reaction chamber (NO mode),

through the molybdenum converter and the reaction chamber (NO_x mode), or through the ammonia converter and the reaction chamber (Nt mode).

3.2 Converters - For the accurate determination of nitrogen dioxide it is essential that the instrument converters have a high degree of efficiency (95 %+) for the conversion of NO₂ to NO. The converters employed in commercially available instruments are of two basic types.

Thermal Converters are made of a high grade stainless steel and operate at elevated temperatures, 600-800°C. At these temperatures the breakdown of NO₂ into NO and O₂ occurs readily. These converters, though adequate for the breakdown of NO₂ to NO, have the obvious disadvantage of converting ammonia into NO.

Chemical converters are to be found in the majority of Chemiluminescence instruments used for ambient monitoring. These converters have the advantage of a much lower operating temperature, 200-400°C, with efficient NO₂ conversion. Molybdenum and carbon converters have been in general use and are available in commercial instruments.

NH₃ - NO Converter consists of a ceramic cylinder bearing a heating resistor. This cylinder is surrounded by glass wool. It contains the quartz tube filled with quartz wool in order to improve the efficiency of NH₃ to NO conversion. The temperature range of these tubes is in between 950 - 1000° C.

3.3 Air Inlet Filter - A Teflon filter capable of removing all particulate matter greater than 5µm in diameter.

3.4 Sample Lines - The sample lines and all parts of the instrument that come in contact with the sample stream should be made of glass, Teflon or stainless steel.

3.5 Vacuum Pump - A pump capable of a minimum vacuum of 78 kPa.

4.0 Calibration Standards

The nitric oxide (NO) in N₂ and NH₃ in air is used to calibrate the Analyser. These standard gases should be traceable to a National or International Standard. Selection of the NO and NH₃ standards concentration are dependent on the operating range of the analyzer to be calibrated and on the dilution capability of the calibration system. NO cylinders normally used are in the 25-59 + 2% ppm v/v range in N₂. The NO calibration cylinder must be free of any nitrogen dioxide, and should be re analysed on a regular basis, preferably every six months.

4.1 Zero Gas

The air supply must be free of contaminants that would cause a detectable analyzer response, or react independently with NO.

4.2 Span Gas (Calibration Gas)

The span gas must be capable of providing an accurate, stable and reliable concentration of measured gas.

4.3 Multipoint Calibration

Multipoint calibration consists of three or more test concentrations including zero concentration. A concentration between 80% and 90% of the full-scale range of the analyzer under calibration, and one or more intermediate concentrations spaced approximately equally over the scale range are required. Multipoint calibrations are used to establish or verify the linearity of analyzer on initial installation and after any major repair. If a non-linear analyzer is being calibrated, additional calibration points should be included to adequately define the calibration relationship, which should be a smooth curve. Multipoint calibrations are likely to be more accurate than two point's calibration because of the averaging effect of the multiple points.

The analyzers have zero and span adjustment controls, which should be adjusted based on the zero and highest test concentration to provide the desired scale range within the analyzer's specifications. Zero and span controls adjustment often affect the zero/ span value, so the adjustments may have to be repeated several times to obtain consistent values i.e. zero or span concentrations.

5.0 Physical Zero and Span adjustments

All ambient monitoring analyzer have provision for zero and span adjustments. These adjustments are used to obtain the desired nominal scale range, to provide convenient scale units, and to periodically adjust the analyzer response to correct for calibration drift. Zero and span adjustments must always be followed by a calibration. Allow sufficient time between the adjustments and the calibration for the analyzer to stabilize.

6.0 Quality Control

There should be a quality control plan, which allows for modification of the frequency and number of points required for calibration. Such a quality control programme assures the accuracy and reliability of the air quality data collected. The calibration programme must include information of dates of calibration, atmospheric conditions, control setting and other pertinent data.

The analyzer should be calibrated or re-calibrated:

- a. on its initial installation;
- b. following its relocation;
- c. after every repair or service;
- d. if an interruption in operation of more than a few days; and
- e. on detection of malfunction or changing of the analyzer in calibration.

In routine operation calibration of analyzer should be checked periodically defining period (once a week) to maintain close agreement between the calibration values used to convert analyzer responses to concentration measurements and the actual response of the analyzer. The frequency of routine periodic calibration is a matter of judgment and is a trade-off among several considerations, including:

the inherent stability of the analyzer under the prevailing conditions of temperature, pressure, line voltage, etc. at the monitoring site;
the quality of the ambient measurement needed;
the risk of collecting invalid data because of a malfunction or invalid data or response problem with the analyzer that would not be discovered until the calibration is carried out.

When a new monitoring instrument is installed, zero and span calibration should be very frequent, may be daily. After obtaining enough data on the drift performance of the analyzer, the calibration frequency can be adjusted to provide a suitable compromise among the various considerations mentioned above. To facilitate the process of determining calibration frequency, it is strongly recommended that control charts should be used to monitor the zero and span drift performance of each analyzer. If the drift becomes excessive, then the corrective action has to be taken.

Precautions

- (a) Operate the analyser in air-conditioned and dust proof room
- (b) Follow standard safety practices for the handling and storage of calibration gas cylinders & the installation and use of the analyser.
- (c) Do not expose calibration cylinders to direct sunlight or excessive heat.
- (d) Maintain the same sample cell flow rate during sampling and calibration.
Use the same sample pump.

7.0 Sampling

When sampling the outside ambient from an enclosure, utilize a sampling line or probe extending at least 1 metre from the enclosure, and protected against the entry of

precipitation. Place the analyser in an enclosure with atmospheric control so the temperature remains constant within ± 5 C. Record the temperature and pressure of the atmosphere sample.

8.0 Operation of the analyser

Press ON/OFF switch of the analyzer to ON;

Check that the sampling tube is connected with sampling glass manifold and the suction pump is in operation;

Let the analyzer warm up and stabilize for atleast 30 minutes or as specified in the manual;

Do not change the programme or configuration of the analyzer as they are preset; and

After the warm up period, put the analyzer on SAMPLE mode by pressing the sample key.

9.0 Requirements - Prior to Calibration or Zero/Span Check

The analyzer under calibration should be in operation for at least overnight so that it is fully warmed up and stabilized.

Allow the analyzer to sample test atmosphere with known concentration of pollutants.

During calibration, the analyzer should be operating in its normal sampling mode and it should sample the test atmosphere through all filters, scrubbers, conditioners, and other components used during normal ambient sampling and through as much of the ambient air inlet system as is practicable.

Complete all operational adjustments of the analyzer.

10.0 Calibration System and Equipment

In the procedure that follows, NH_3 , NO and NO_2 calibrations are performed using a dynamic dilution system. Ammonia and Nitric oxide calibrations are performed by dynamic flow dilution of a NH_3 & NO standard with a clean air stream. Nitrogen dioxide calibrations are performed by the rapid gas phase reaction between NO and O_3 to provide a stoichiometric quantity of NO_2 , equal to the decrease in the NO concentration. The reaction is the same as shown as Section 3.0, except that the NO remains in excess rather than the ozone as described in 3.0. This reaction is commonly referred to as Gas Phase Titration (GPT). An alternative NO_2 calibration is the generation of known test atmospheres by means of a NO_2 permeation device.

10.1 Calibration System- All components in the calibration system should be made of glass, Teflon or stainless steel. The system is designed to provide dynamic dilution for NO, NH_3 and GPT for NO_2 . The dilution section comprises two independent flow controls that can be varied individually to provide a dilution ration of up to 1,000 to 1.

The GPT section comprises a current-regulated ozone generator through which a portion of the dilution air flows even when the ozonator is not in operation. For dynamic dilution, the metered NO combines with this portion of the dilution air and passes through the reaction chamber. It then combines with the balance of the dilution air and passes through the sampling manifold. For GPT the flow path is the same except that a portion of the oxygen in the air passing through the ozone generator is converted to ozone.

10.2 Air Flow Controller - A device capable of maintaining constant clean-air flow up to 5 L/min within + 2% of the required flow rate.

10.3 Air Flowmeter - A calibrated flowmeter capable of measuring air flow rates within + 2%.

10.4 Nitric Oxide Flow Controller - A device capable of maintaining constant NO flow within + 2% of the required flow rate.

10.5 Nitric Oxide Flowmeter - A calibrated flowmeter capable of measuring NO flow rates within + 2%.

10.6 Two-Stage Regulator - The two-stage pressure regulator for the standard NO and NH₃ cylinders must be of stainless steel to prevent any reaction of the external gas.

10.7 Ozone Generator - The generator must be capable of generating stable levels of O₃ for the GPT of NO to provide NO₂ concentrations throughout the calibration range.

10.8 Reaction Chamber - The chamber used for the reaction of O₃ with excess NO should be of sufficient volume that the residence time is not less than 2 minutes (11).

10.9 Mixing Chamber - A chamber used to allow thorough mixing of reaction products and dilution air.

11.0 Procedure of Calibration

Prior to start of calibration, for safety purposes, insure proper venting of the analyzer exhaust and the calibration system have excess flow. Insure that the analyzer and the calibration system have been on for a time sufficient to provide stable operation.

11.1 Flow Conditions - Insure that the air and gas flow systems are calibrated under the conditions of use against an authoritative standard. Different output calibration gas concentrations are obtained simply by changing the ratios of flow rates between the NO & NH₃ and dilution air channels. It is preferable to maintain a constant dilution air-flow and to vary the NO and NH₃ flow. The total flow required at the sampling manifold should equal the analyzer demand plus at least 50% excess. The following equations can be used to pre-calculate the specific gas dilution air-flow rates required

for the desired calibration points, usually 20, 40, 60 and 80% of the instrument range.

$$S = \frac{\text{STD} \times \text{FS}}{\text{FS} + \text{FD}} \quad (1)$$

Where:

S	=	desired output concentrations of NO in ppm
STD	=	NO standard cylinder concentration in ppm
FS	=	NO standard cylinder flow rate
FD	=	dilution air flow rate in cm ³ /min.

Solving equation (1) for the NO or NH₃ standard flow rate (FS) that will produce the desired concentration for a given dilution flow rate (FD) gives:

$$\text{FS} = \frac{S \text{ FD}}{\text{STD} - S} \quad (2)$$

11.2 Zero Calibration - Activate the zero air source and allow the analyzer to sample the zero air until a stable zero response is obtained. Adjust the analyzer NH₃, NO_x, NO and NO₂ zero controls as described in the instrument manual. It is good practice to recheck the zero at the end of the multipoint calibration, especially if large span adjustments were made.

11.3 Preparation for the NO and NO_x Calibration - Set the zero air and NO standard flow rates as determined in 12.1 for generating a NO concentration at 80% of the instrument range setting. Sample this NO concentration for a minimum of 15 minutes or until the NO and NO_x responses are stable.

11.4 NO and NO_x Span Adjustment - Adjust as necessary the analyzer NO and NO_x span controls to obtain recorder responses equal to the NO (NO_x in this case as well) concentration generated.

11.5 Preparation for the NO₂ Calibration - Set the dilution air and NO standard flow rates as determined in 12.1 for generating a NO concentration of about 80% of the instrument range setting. Sample this NO concentration for a minimum of 15 minutes or until the NO, NO_x and NO₂ recorder responses are stable. Record the readings.

Note: The NO₂ calibration is conveniently performed by re-establishing the 80% of scale NO-NO_x calibration point, using the same dilution air and NO standard flow rates used in 12.3.

11.6 Gas Phase Titration - Activate the ozone generator and adjust the ozone output so as to decrease the NO concentration by approximately 80%. The decrease must not exceed 90% of the NO concentration being sampled prior to the GPT. Sample this NO-NO₂ mixture for a minimum of 15 minutes or until the NO, NO_x and NO₂ recorder responses are stable. Record the readings. Calculate the indicated NO₂ concentration as per Section 11.1.

11.7 Nitrogen Dioxide Span Adjustment - Adjust as necessary the analyzer NO₂ span control to obtain a recorder response equal to the calculated NO₂ concentration.

Generate at least two additional calibration points evenly spaced across the remainder of the instrument operating scale by decreasing the O₃ output while maintaining the dilute air and NO standard flow rates constant. For each calibration point generated, calculate the NO₂ concentration, and insure that the NO₂ recorder responses are correct.

11.7 Determination of Converter Efficiency of NO₂ - Calculate the analyzer converter efficiency as per Section 13.2 for the NO₂ concentration generated in Section 12.6. The converter efficiency must be 95% or greater to be acceptable

11.8 Preparation for the NH₃ Calibration - Set the zero air and NH₃ standard flow rates as determined in 12.1 for generating a NH₃ concentration at 80% of the instrument range setting. Sample this NH₃ concentration for a minimum of 15 minutes or until the NH₃ response is stable. Adjust as necessary the analyzer NH₃ span control to obtain recorder responses equal to the NH₃ concentration generated.

11.9 Determination of Converter Efficiency of NH₃ - It is necessary to check the efficiency of the NH₃ converter every 6 months at least. In this case it is necessary to inject NH₃ gas and to check the read value with the known (span) concentration.

12.0 Calculations

12.1 Calculation of NO₂ concentration

$$\text{NO}_x = \text{NO} + \text{NO}_2$$

$$\text{NO}_2 = \text{NO}_x - \text{NO} \quad \text{----- (1)}$$

$$\text{NO}_y = \text{NO} + \text{NO}_2 + \text{NH}_3$$

$$\text{NH}_3 = \text{NO}_y - \text{NO}_x \quad \text{----- (2)}$$

12.2 Calculation of NO₂ Converter Efficiency (CE)

$$\text{Converter Efficiency} = \frac{[\text{NO}_x]}{[\text{NO}_x]_{\text{GPT}}} 100$$

12.3 Calculation of NH₃ Converter Efficiency (CE)

$$\text{Converter Efficiency} = \frac{[\text{NH}_3] \text{ measured}}{[\text{NH}_3] \text{ target}} \times 100$$

13.0 Calibration with Permeation System

A permeation device is a gas source, which permanently emits a constant known quantity of a pure gas. It consists of a small container with a permeable wall, typically consisting entirely of PTFE (Teflon) or of stainless steel with a small PTFE wafer. The gases to be used (SO₂, NO₂, NH₃, H₂S etc.) to generate standard gas mixture of variable concentration, is kept pure in liquid form. Since the compound is liquid, it will always have a constant vapour pressure, if temperature is constant. Gravimetric method is used for calibrating the permeation tube at different flow rate. The pre-weighted permeation tube (SO₂, NO₂, H₂S etc.) are kept in permeation oven for constant temperature. After an interval of about 10 days, the tubes are taken out and weighed. The permeation rate of tubes is calculated by dividing the weight loss by time period.

13.1 Calculation

$$\text{Permeation Rate (PR)} = \frac{\text{Difference in Weight } (\mu\text{g})}{\text{Time Period (Min)}}$$
$$\text{Concentration (C)} = \frac{\text{Permeation Rate } (\mu\text{g} / \text{min})}{\text{Dilution Gas Flow } (\text{m}^3 / \text{min})}$$

$$C = \mu\text{g} / \text{m}^3$$

13.2 Procedure for Calibration with Permeation Tube

Take a new permeation tube and put it into permeation oven of a calibration unit for stabilisation at least for 48 hours.

After the stabilisation take the initial weight (w₁) of permeation tube in a balance, which can measure up to 5 decimal value and record date & time (t₁). Put back the tube again in permeation oven in same condition as earlier.

Take out the permeation tube from oven approximately after 10 days and weight it again (w₂) and note down the date & time (t₂) and put back the tube into permeation oven.

Calculations:

$$\text{Permeation Rate (PR)} = \frac{\text{Difference in Weight (w}_1 - \text{w}_2) \text{ g}}{\text{Difference in Time (t}_2 - \text{t}_1) \text{ min}}$$

$$\text{NO}_2 \text{ Concentration} = \frac{\text{Permeation Rate (PR)} (\mu\text{g} / \text{min.})}{\text{N}^* \times \text{Dilution Flow (m}^3 / \text{min)}}$$

N* = NO₂ Concentration at 25 °C,
 1.0 ppb = 1.88 μg / m³
 or NH₃ Concentration at 25 °C,
 1.0 ppb = 0.758 g / m³

13.3 Example

Let us take the permeation tube of Nitrogen Dioxide for calibration:

Date = 20.05.09, Time = 11 a.m. (t₁)

Weight of permeation tube = 0.05250 gms. (w₁)

Date = 31.05.09, Time = 10.30 a.m. (t₂)

Weight of permeation tube = 0.04936 gms. (w₂)

Difference in weights (w₁ - w₂)
 0.05250 - 0.4936 = 0.00314 g
 Time Difference (t₂ - t₁)
 10 days, 23 hrs. 30 minutes = 15810 minutes

$$\text{Permeation Rate} = \frac{0.00314 \text{ g}}{15810 \text{ minutes}} = 0.199 \mu\text{g} / \text{min.}$$

Nitrogen Dioxide concentration at different flow rates:

$$50 \text{ liters / hr.} = \frac{0.199 \mu\text{g} / \text{min.}}{0.833 \times 10^{-3} \text{ m}^3 / \text{min} \times 1.88 \mu\text{g} / \text{m}^3}$$

$$= 127 \text{ ppb}$$

100 litres / hr. = 63.5 ppb

150 litres / hr. = 42.3 ppb

200 litres / hr. = 31.6 ppb

Ammonia concentration at different flow rates:

$$\begin{aligned} 50 \text{ liters / hr.} &= \frac{0.199 \text{ } \mu\text{g / min.}}{0.833 \times 10^{-3} \text{ m}^3 / \text{min} \times 0.758 \text{ } \mu\text{g / m}^3} \\ &= 315 \text{ ppb} \\ 100 \text{ litres / hr.} &= 157.5 \text{ ppb} \\ 150 \text{ litres / hr.} &= 105 \text{ ppb} \\ 200 \text{ litres / hr.} &= 78 \text{ ppb} \end{aligned}$$

14.0 OPERATIONAL CHECKS

14.1 Zero and Span Settings

If the required zero and span corrections performed in accordance with calibration procedure are greater than 80% of the range, have the analyser serviced.

14.2 Sample Flow Rate

If the sample flow rate has changed by more than + 20% of the initial value, check the particulate filter for blockage, and the sample pump for proper operation. Check the filter monthly by measuring the flow rate with and without the filter in place. Replace the filter if the drop is more than 5%.

14.3 Temperature Control

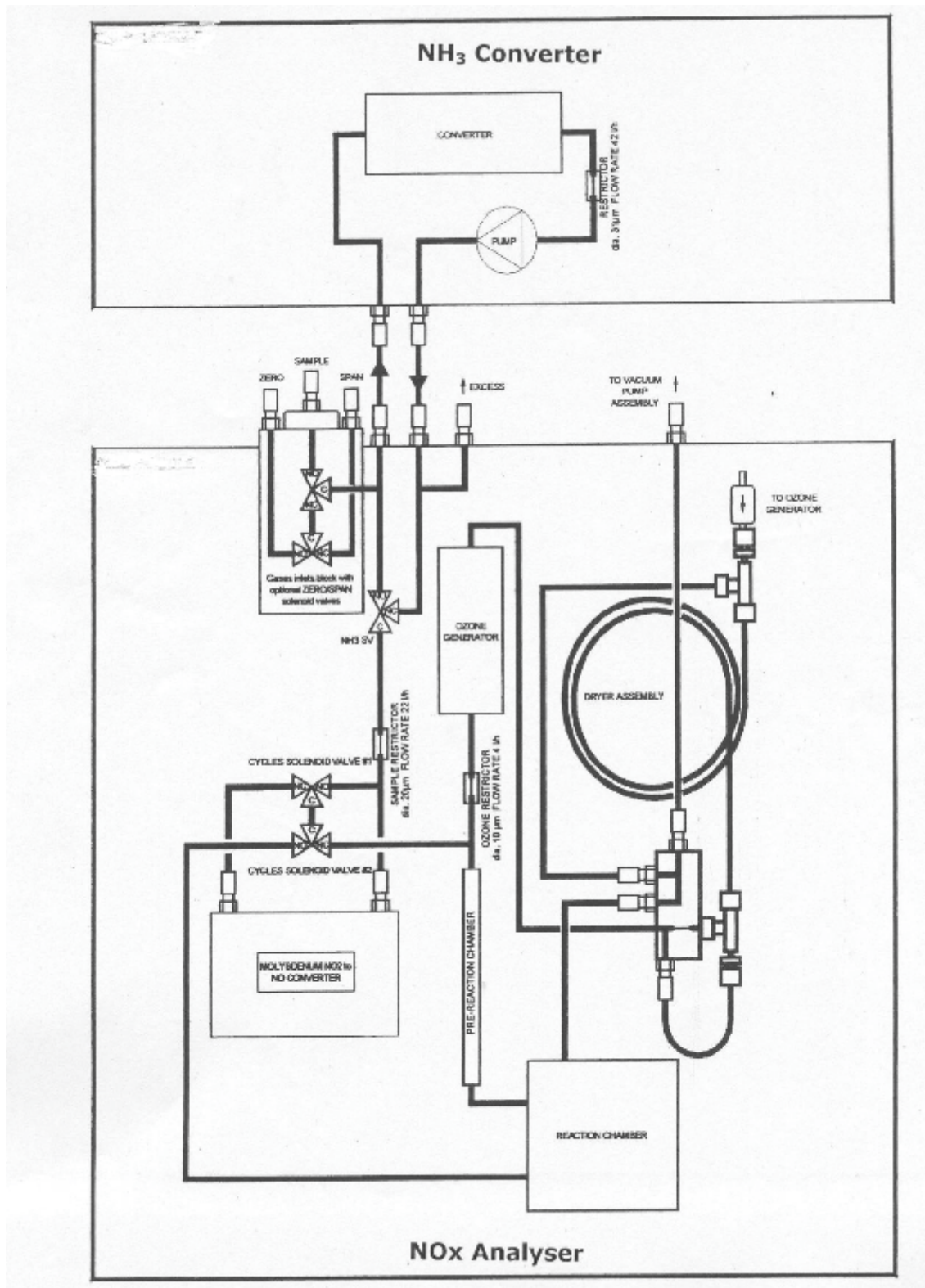
Check the temperature of the shelter or room in which the analyser is located. If, it has changed by more than + 5° C, have the heating-cooling system serviced.

15.0 Record

The calibration record of each analyzer with details like calibration data, calibration equation, analyzer identification, analyzer location, calibration standards used and their traceability, identity of calibration equipment used shall be maintained by the concerned laboratory staff.

16.0 References

1. ISC Method No. 416, 3rd Edition, 1989
2. USEPA Environmental Technology Verification (ETV) Programme
3. CPCB DOC: CB/CL/SOP/5.6/8, Issue No. 01, Issue date: 17.07.2003, Procedure for calibration of ambient air quality monitoring analyzers



Flow Diagram of Oxides of Nitrogen and Ammonia Analyser

Guidelines for Automatic Measurement of Ozone (O₃) in ambient air (UV Photometric Method)

1.0 Purpose

The purpose of this protocol is to provide guidelines for monitoring of ozone (O₃) in ambient air.

2.0 Principle

The method is based on the photometric assay of ozone (O₃) concentrations in a dynamic flow system. The concentration of O₃ is determined in an absorption cell from the measurement of the amount of light absorbed at a wavelength of 254 nm. The method is based on the absorption coefficient of O₃ at 254 nm, the optical path length through the sample, and the transmittance, temperature and pressure of the sample. The quantities above are related by the Beer-Lambert absorption law.

$$\text{Transmittance} = \frac{I}{I_0} = e^{-\alpha c l}$$

Where:

- α = absorption coefficient of O₃ at 254 nm = 310 atm⁻¹ c m⁻¹ at 0° C and 101.3 kPa
- e = O₃ concentration in units of atmosphere
- l = optical path of absorption cell length in cm
- I = intensity of light passing through cell with an ozone sample
- I_0 = intensity of light passing through cell with zero air

Typically, an air sample is first directed through a scrubber that removes any O₃ present, but otherwise does not affect the sample. The ozone-free sample then flows through the absorption cell, and its transmittance is measured. This constitutes the zero cycle. At a present time, solenoid switches and another air sample flows directly into the absorption cell, bypassing the scrubber and its transmittance is measured. This constitutes the ozone measurement cycle. The difference in transmittance between the two cycles is a measure of the O₃ concentration. The complete measurement cycle takes about 20 to 30 seconds. Microprocessor-controlled electronics perform timing functions, condition the signal and perform arithmetic operations in commercially available analyzers.

3.0 Instrument/Equipment

3.1 Ozone Photometric Analyzer

Commercially available, complete with sample pump and sample flow meter. All

connections to the ozone and analyzer must be constructed of glass, Teflon or other inert materials.

3.2 Air Inlet Filter

A Teflon filter capable of removing all particulate matter greater than 5 µm in diameter.

3.3 Recorder

Capable of full-scale display of voltages from the instrument DC amplifier. These are commonly found in full-scale ranges of 10 mV to 1V.

3.4 Calibration Apparatus

Ultraviolet Photometer (UV Photometer) commercially available. The UV photometers are primary standards for determinations of ozone in air. The units differ from the ozone photometric analyzer is that the UV photometers do not contain an ozone scrubber, and are designed to make pressure and temperature corrections for the measured ozone to standard conditions (25° C and 101.3 kPa).

4.0 Quality Control

There should be a quality control plan, which allows for modification of the frequency and number of points required for calibration. Such a quality control programme assures the accuracy and reliability of the air quality data collected. The calibration programme must include information of dates of calibration, atmospheric conditions, control setting and other pertinent data.

The analyzer should be calibrated or re-calibrated:

- (a) on its initial installation;
- (b) following its relocation;
- (c) after every repair or service;
- (d) if an interruption in operation of more than a few days; and
- (e) on detection of malfunction or changing of the analyzer in calibration.

In routine operation calibration of analyzer should be checked periodically defining period (once a week) to maintain close agreement between the calibration values used to convert analyzer responses to concentration measurements and the actual response of the analyzer. The frequency of routine periodic calibration is a matter of judgment and is a trade-off among several considerations, including:

- a) the inherent stability of the analyzer under the prevailing conditions of

- b) temperature, pressure, line voltage, etc. at the monitoring site;
- b) the quality of the ambient measurement needed;
- c) the risk of collecting invalid data because of a malfunction or invalid data or response problem with the analyzer that would not be discovered until the calibration is carried out.

When a new monitoring instrument is installed, zero and span calibration should be very frequent, may be daily. After obtaining enough data on the drift performance of the analyzer, the calibration frequency can be adjusted to provide a suitable compromise among the various considerations mentioned above. To facilitate the process of determining calibration frequency, it is strongly recommended that control charts should be used to monitor the zero and span drift performance of each analyzer. If the drift becomes excessive, then the corrective action has to be taken.

5.0 Precautions

- a) Operate the analyser in air- conditioned and dust proof room
- b) Follow standard safety practices for the handling and storage of calibration gas cylinders & the installation and use of the analyser.
- c) Do not expose calibration cylinders to direct sunlight or excessive heat.
- d) Maintain the same sample cell flow rate during sampling and calibration. Use the same sample pump.

6.0 Sampling

When sampling the outside ambient from an enclosure, utilize a sampling line or probe extending at least 1 metre from the enclosure, and protected against the entry of precipitation. Place the analyser in an enclosure with atmospheric control so the temperature remains constant within $\pm 5^{\circ}$ C. Record the temperature and pressure of the atmosphere sample.

7.0 Operation of the analyser

- (a) Press ON/OFF switch of the analyzer to ON;
- (b) Check that the sampling tube is connected with sampling glass manifold and the suction pump is in operation;
- (c) Let the analyzer warm up and stabilize for atleast 30 minutes or as specified in the manual;
- (d) Do not change the programme or configuration of the analyzer as they are preset; and
- (e) After the warm up period, put the analyzer on SAMPLE mode by pressing the sample key.

8.0 Requirements - Prior to Calibration or Zero/Span Check

- a) The analyzer under calibration should be in operation for at least overnight so that it is fully warmed up and stabilized.
- b) Allow the analyzer to sample test atmosphere with known concentration of pollutants.
- c) During calibration, the analyzer should be operating in its normal sampling mode and it should sample the test atmosphere through all filters, scrubbers, conditioners, and other components used during normal ambient sampling and through as much of the ambient air inlet system as is practicable.
- d) Complete all operational adjustments of the analyzer.

9.0 Zero and Span Calibration Procedures

(i) Zero Calibration

Switch the analyzer at ZERO mode and zero gas from internal source will be measured by the analyzer. After the reading has stabilized, check the display of the zero value. In case of any deviation, adjust the ZERO value.

(ii) Span Calibration (internal)

After the ZERO calibration has been done, switch the analyzer at SPAN mode. The analyzer has internal UV span source for providing O₃ of known concentration. The span value is pre-determined. The analyzer would measure the span value. In case of any deviation in the displayed value and the actual span concentration, adjust the voltage of the UV source corresponding to the span value. Repeat ZERO and SPAN calibration for atleast three times or till stable and true values are indicated. After ZERO and SPAN calibration, switch the analyzer at SAMPLE mode. Now, analyzer will measure the O₃ gas present in the ambient air.

(iii) Span Calibration (External)

Connect the ozone analyzer to the output manifold of the calibration system. Check to insure proper operating parameters according to the instrument manual. The ozone source consists of a quartz tube into which purified air is introduced and then irradiated with a stable low-pressure mercury lamp. The level of irradiation is controlled by an adjustable metal sleeve that fits around the lamp. At a fixed level of irradiation and at a constant temperature and humidity, ozone is produced at a uniform rate. By careful control of the flow of air through the quartz tube, and/or adjustment of the irradiation level, test atmospheres can be generated that contain stable but variable concentrations of ozone. An output manifold with a vent is attached to the Ozonator. Ozone outputs must be available to cover the complete analyzer

operating range, typically 0.00 to 1.00 ppm. The dilution system should have a total flow capability of a least 5 L/min. Any alternative system capable of these outputs is acceptable.

10.0 Calculation

If a UV photometer was used in the calibration, the ozone readings are the true ozone concentrations already corrected to standard conditions (25° C and 101.3 kPa).

True Ozone (ppm) = Ozone Reading - Zero Reading

Where:

Ozone Reading = The UV photometer ozone readout for each calibration point test atmosphere

Zero Reading = The UV photometer ozone readout for the zero air stream

11.0 OPERATIONAL CHECKS

11.1 Zero and Span Settings

If the required zero and span corrections performed in accordance with calibration procedure are greater than 80% of the range, have the analyser serviced.

11.2 Sample Flow Rate

If the sample flow rate has changed by more than $\pm 20\%$ of the initial value, check the particulate filter for blockage, and the sample pump for proper operation. Check the filter monthly by measuring the flow rate with and without the filter in place. Replace the filter if the drop is more than 5%.

11.3 Temperature Control

Check the temperature of the shelter or room in which the analyser is located. If, it has changed by more than $\pm 5^\circ\text{C}$, have the heating-cooling system serviced.

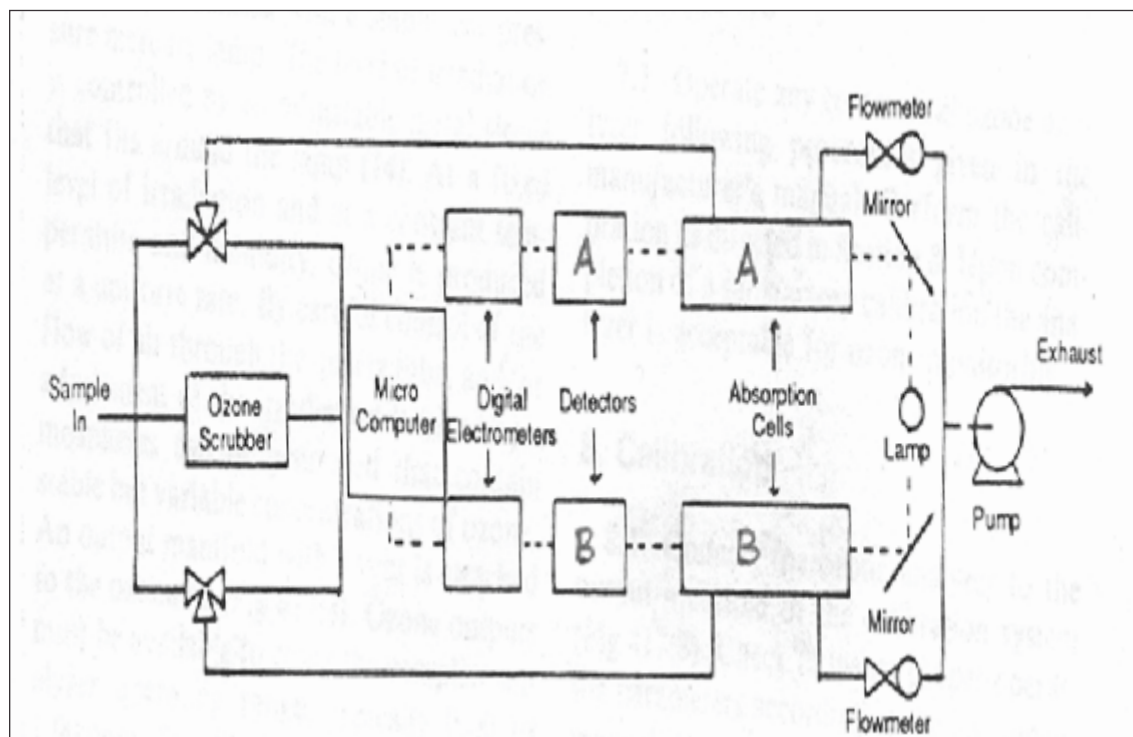
12.0 Record

The calibration record of each analyzer with details like calibration data, calibration equation, analyzer identification, analyzer location, calibration standards used and their traceability, identity of calibration equipment used shall be maintained by the concerned laboratory staff.

13.0 References

1. ISC, Method No. 417, 3rd Edition, 1989.

Schematic Flow Diagram of Dual Cell Ozone Analyser



Guidelines for Automatic Measurement of benzene (BTX) in ambient air (Gas Chromatography based Continuous Method)

1.0 Purpose

The purpose of this protocol is to provide guidelines for monitoring of Benzene (Benzene, toluene, Ethyl benzene M+P xylene and O-Xylene) in ambient air by online real time monitoring instruments.

2.0 Principle

The principal of operation of volatile organic compound is based on chromatographic separation in the gaseous phase of measured compound, coupled with a photo ionization detector for detection of these compounds. The sampling gas is drawn into a sampling tube at regulated flow. This is heated and ventilated by carrier gas, this way desorption is done. Transfer of adsorbed compound from sampling tube to pre concentration tube is carried out with a carrier gas. The sampled VOC are re adsorbed in very small volume of adsorbent, which is known as pre concentrator. A strong and fast increase in temperature of graphitized carbon at 350 c together with ventilation of carbon with carrier gas enables desorption of the compounds, which are injected into column. The nitrogen is introduced at inlet of pre concentration tube, which causes displacement of sample in the column. The separation of each compound takes place in this column. The output is measured by a PID detector and the concentrations are displayed on the instrument.

3.0 Instrument/Equipment

VOC Analyser - for measurement of Benzene in the ambient air is used for the measurement of this compound. The analyser should be complete with analyser section, sample pump, amplifier/control section, meter, and recording system. The analyser shall meet the performance specifications as prescribed.

4.0 Sampling

When sampling the outside ambient from an enclosure, utilize a sampling line or probe extending at least 1 metre from the enclosure, and protected against the entry of precipitation. Place the analyser in an enclosure with atmospheric control so the temperature remains constant at $25^{\circ}\text{C} \pm 3^{\circ}\text{C}$. Record the temperature and pressure of the atmosphere sample.

4.1 Operation of the Analyser

Connect the analyser with sampling line. Check if dust filter is required to be replaced.

Put on the power supply. Analyser is pre programmed or can be re-configured in configuration mode where range, date time, language, measuring cycle etc can be programmed. Return to main menu. Put the analyser in instantaneous mode and let the instrument to come out of warm up mode. Put the instrument on sample mode it will start the measurement of VOC present in the ambient air. The instrument will monitor Benzene, toluene, Ethyl benzene M+P xylene. Data will log in station computer.

5.0 Calibration

5.1 Requirements - Prior to Calibration or Zero/Span Check

- a) The analyzer under calibration should be in operation for at least overnight so that it is fully warmed up and stabilized.
- b) Allow the analyzer to sample test atmosphere with known concentration of pollutants.
- c) During calibration, the analyzer should be operating in its normal sampling mode and it should sample the test atmosphere through all filters, scrubbers, conditioners, and other components used during normal ambient sampling and through as much of the ambient air inlet system as is practicable.
- d) Complete all operational adjustments of the analyzer.

5.2 Standards and Equipment

The calibration of ambient air quality measuring BTX analyzer require a stable, homogeneous gas mixture having the concentration suitable for measuring range of the analyzer to be calibrated. All such test concentrations must be derived from local or working standards that are certified and traceable to primary standards. Built in bench or dilution system is used for calibration.

5.3 Pressure Regulators for the BTX Cylinders

A two-stage regulator with inlet and delivery pressure gauges will be required for the Benzene calibration standard cylinder. Procure regulators for each cylinder if individual cylinders are to be used for individual calibration points. Ensure the cylinders have a non-reactive diaphragm and suitable delivery pressure. Consult the supplier from whom the BTX cylinders are to be obtained for the correct cylinder fitting size required for the regulator.

5.4 Flow Controller/calibrator

The flow controller can be any device (valve) capable of adjusting and regulating the flow from the calibration standard. If the dilution method is to be used for calibration, a second device is required for the zero-air. For dilution, the controllers shall be capable

of regulating the flow $\pm 1\%$. All the modern dilution system/calibrators have the high precision and accuracy in maintaining the critical flows. The calibrator has the facility to calibrate the instrument with gas cylinder or permeation bench. Out put of the calibrator is connected with the span port of the analyzer.

5.5 Zero Gas

Zero gas is defined as gas, which does not contain the parameters to be monitored (any impurity). The concentration of zero gas must be zero in respect of pollutant being calibrated.

5.6 Span Gas (Calibration Gas)

The span gas must be capable of providing an accurate, stable and reliable concentration of measured gas. Span gas can be gas mixtures or permeation tubes. What so ever may the span source it must be certified and traceable to NIST. The working standard should also be verified with CRM.

5.7 Zero and Span Calibration Procedures

a) Zero Calibration

Switch the analyzer at ZERO mode and connect zero gas of (N_2 of 99.995% purity) from external source. After the reading has stabilized, check the display of zero value. In case of deviation, adjust the ZERO value.

b) Span Calibration

After the ZERO calibration has been done, connect the span gas cylinder or permeation bench, of known concentration of Benzene. Switch on the analyzer to SPAN mode. Open the regulator valve of the cylinder and the analyzer will start measuring the span gas concentration. Let the instrument run for three to four cycles for stabilization of results. Observe the chromatogram of the analyzer, and in case there is any variation in the measured value and SPAN gas concentration, adjust the reading of the analyzer to the SPAN gas concentration value. Let it be stabilized again for at least three cycles. On obtaining a desired stable SPAN concentration the instrument should be flushed out with zero air for one or two cycles. After ZERO and SPAN calibration, switch the analyzer to SAMPLE mode. Now, analyzer will measure the benzene and its compounds as per its configuration in the ambient air.

c) Multipoint Calibration

Multipoint calibration consists of three or more test concentrations including zero concentration. A concentration between 80% and 90% of the full-scale range of the

analyzer under calibration, and one or more intermediate concentrations spaced approximately equally over the scale range are required. Multipoint calibrations are used to establish or verify the linearity of analyzer on initial installation and after any major repair. The analyzers have zero and span adjustment controls, which should be adjusted based on the zero and highest test concentration to provide the desired scale range within the analyzer's specifications. Zero and span controls adjustment often affect the zero/span value, so the adjustments may have to be repeated several times to obtain consistent values i.e. zero or span concentrations.

6.0 Calculation

To convert ppb volume fraction to micrograms per cubic metre, use the following equation:

$$\rho_1 = \frac{\rho_2 \times m_r \times 298\rho}{24\,450 \times T \times 101.3}$$

Where:

- ρ_1 = is the Benzene mass concentration, in microgram / m³
- ρ_2 = the Benzene mass concentration, ppb volume fraction
- m_r = is the molar mass of Benzene, (78 g/mol)
- 298 = is the standard absolute temperature, in Kelvin
- ρ = is the measured gas pressure, in kilopascals
- 24. 450= is the molecular volume of 1 mole, in millilitres
- T = is the measured absolute gas temperature, in Kelvin
- 101.3 = is the standard gas pressure, in kilopascals

7.0 Precautions

- Operate the analyser in air- conditioned and dust proof room. The temperature should be between 20-25 degree Celsius
- Follow standard safety practices for the handling and storage of calibration gas cylinders & the installation and use of the analyser.
- Do not expose calibration cylinders to direct sunlight or excessive heat.
- Maintain the same sample cell flow rate during sampling and calibration. Use the same sample pump.

8.0 Quality control

There should be a quality control plan, which allows for modification of the frequency and number of points required for calibration. Such a quality control programme assures the accuracy and reliability of the air quality data collected. The calibration programme must include information of dates of calibration, atmospheric conditions,

control setting and other pertinent data.

The analyzer should be calibrated or re-calibrated:

- (a) on its initial installation;
- (b) following its relocation;
- (c) after every repair or service;
- (d) if an interruption in operation of more than a few days; and
- (e) on detection of malfunction or changing of the analyzer in calibration.

In routine operation calibration of analyzer should be checked periodically defining period (once a week) to maintain close agreement between the calibration values used to convert analyzer responses to concentration measurements and the actual response of the analyzer. The frequency of routine periodic calibration is a matter of judgment and is a trade-off among several considerations, including:

- (a) the inherent stability of the analyzer under the prevailing conditions of temperature, pressure, line voltage, etc. at the monitoring site;
- (b) the quality of the ambient measurement needed;
- (c) the risk of collecting invalid data because of a malfunction or invalid data or response problem with the analyzer that would not be discovered until the calibration is carried out.

When a new monitoring instrument is installed, zero and span calibration should be very frequent, may be daily. After obtaining enough data on the drift performance of the analyzer, the calibration frequency can be adjusted to provide a suitable compromise among the various considerations mentioned above. To facilitate the process of determining calibration frequency, it is strongly recommended that control charts should be used to monitor the zero and span drift performance of each analyzer. If the drift becomes excessive, then the corrective action has to be taken.

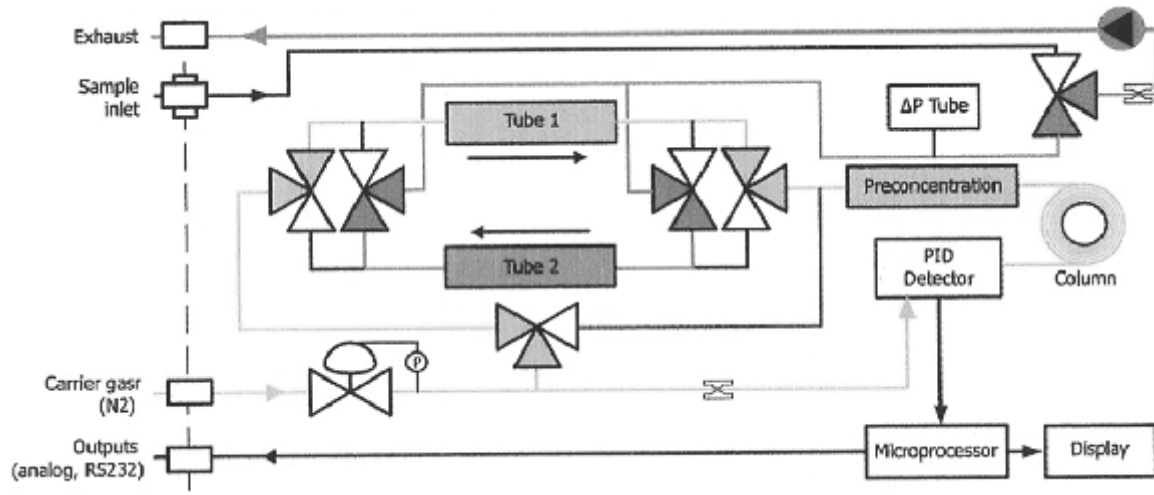
9.0 Record

The calibration record of analyzer with details like calibration data, calibration equation, analyzer identification, analyzer location, calibration standards used and their traceability, identity of calibration equipment used shall be maintained by the concerned laboratory staff.

10.0 References

1. Quantitation by Portable Gas Chromatography: Mass Spectrometry of VOCs Associated with Vapor Intrusion by Justin D. Fair, William F. Bailey, Robert A. Felty, Amy E. Gifford, Benjamin Shultes, and Leslie H. Volles

FLOW DIAGRAM OF BTX ANALYSER



DISCLAIMER

The guidelines for the measurement of Ambient Air Pollutants (NAAQS 2009) are based on the reference methods (Viz. International Standards Organization and Inter Society Committee) based on field and laboratory experiences.

Efforts have been made to make it user friendly and easily understandable, however comments and suggestions towards its improvement are solicited.

© Central Pollution Control Board, 2011

Ambient Air Quality Data Reporting Format (Annual)

Monitoring Agency :
 Year :
 Name of City :
 Name of Station : Station Code :
 Area :

Parameters	Unit	No. of 24 Hourly observations	Annual Mean	Measurement Method #	
Sulphur dioxide (SO ₂)	µg/m ³			Improved West and Gaeke Method	
				Ultraviolet Fluorescence	
				Any Other	
Nitrogen dioxide (NO ₂)	µg/m ³			Jacob & Hochheiser modified (NaOH-NaAsO ₂) Method	
				Gas Phase Chemiluminescence	
				Any Other	
Ammonia (NH ₃)	µg/m ³			Chemiluminescence	
				Indophenol method	
				Any Other	
Particulate Matter, PM ₁₀	µg/m ³			Gravimetric	
				Beta attenuation	
				TEOM	
				Any Other	
Particulate Matter, PM _{2.5}	µg/m ³			Gravimetric	
				Beta attenuation	
				TEOM	
				Any Other	
Lead (Pb)	µg/m ³			AAS/ICP Method after sampling on EPM 2000 or equivalent filter paper	
				ED-XRF using Teflon filter	
				Any Other	
Nickel (Ni)	ng/m ³			AAS/ICP Method after sampling on EPM 2000 or equivalent filter paper	
				Any Other	
Arsenic (As)	ng/m ³			AAS/ICP Method after sampling on EPM 2000 or equivalent filter paper	
				Any Other	
Benzo (a) Pyrene (BaP)	ng/m ³			Solvent extraction followed by HPLC/GC analysis	
				Any Other	
Benzene (C ₆ H ₆)	µg/m ³			Gas Chromatography (GC) based continuous analyzer	
				Adsorption and desorption followed by GC analysis	
				Any Other	

Tick (✓) mark the method followed

(Checked & Compiled by)

(Authorized Signatory)



PARIVESH BHAWAN, CPCB HEAD OFFICE

Central Pollution Control Board
'Parivesh Bhawan', East Arjun Nagar,
Shahdara, Delhi -110 032
Tel. 011-43102030
Telefax- 22305793/22307078/22301932/22304948
e-mail : cpcb@nic.in Web: cpcb.nic.in

Zonal Offices of Central Pollution Control Board

BANGALORE
1st and 2nd Floors, Nisarga Bhavan,
A-Block, Thimmai Main Road, 7th D Cross,
Shivanagar, Opp. Pushpanjali Theatre,
Bangalore - 560 010
Tel. 080-23233827 (O) 080-23233739/
23233827/23233996 Fax- 080-23234059

BHOPAL
3rd Floor, Shakar Bhawan,
North TT Nagar,
Bhopal - 462 003
Tel. 0755-2775587 (O)
2775385/86 (EPABX)
Fax - 0755-2775587

KOLKATA
Southernd Conclave
Block 502, 5th & 6th Floors,
582 Rajdanga, Main Road,
Kolkata - 700 107
Tel. 033-24416332 (Direct)24414289/
4677/6003/6634 Fax - 033-24418725

LUCKNOW
Ground Floor, PICUP Bhawan,
Vibhuti Khand, Gomti Nagar,
Lucknow - 226 010
Tel. 0522-4087601/2721915/16
0522-4087600 (EPABX)
Fax 0522-2721891

SHILLONG
TUM-SIR Lower Motinagar,
Near Fire Brigade H.Q.
Shillong - 793 014
Tel. 0364-2520923/2522859
Fax 0364-2520805

VADODARA
Parivesh Bhawan
Opp. VMC Ward Office No. 10,
Subhanpura, Vadodara - 390 023
Tel. 0265-2283226/ 2283245
Fax 0265-2283294

AGRA PROJECT OFFICE
4, Dholpur House,
M.G. Road,
Agra - 282 001
Tel. 0562-2421548
Fax 0562-2421568

A Clean PARIVESH for all is our goal